

AS 16...P(IEC)

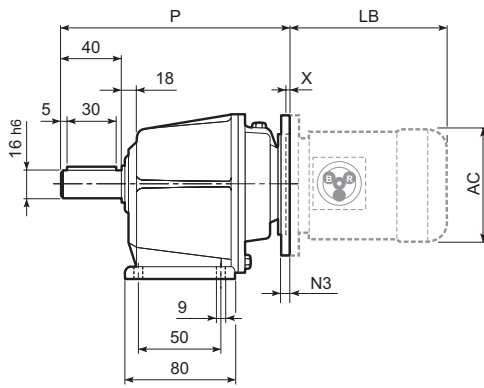
25 - DIMENSIONI

25 - DIMENSIONS

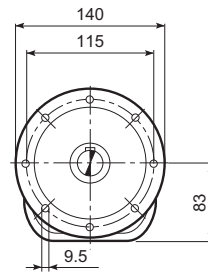
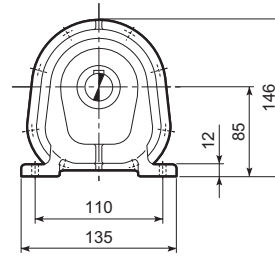
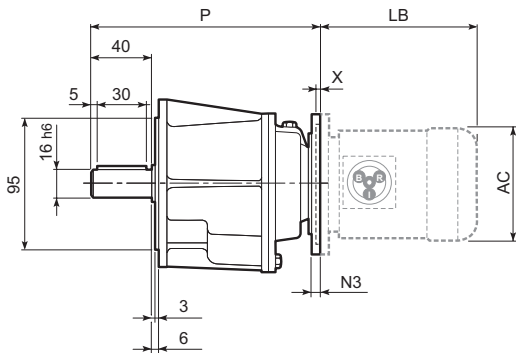
25 - ABMESSUNGEN

25 - DIMENSIONS

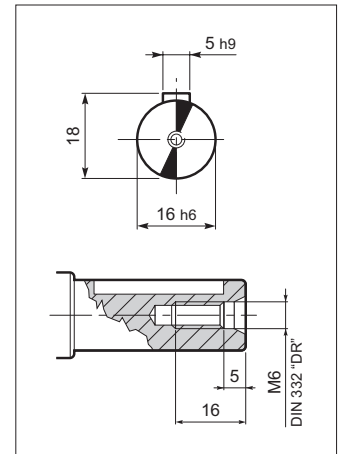
P



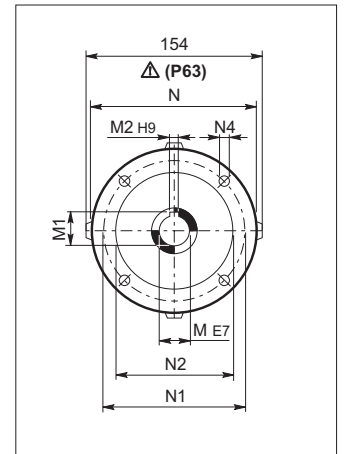
F



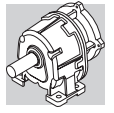
OUTPUT



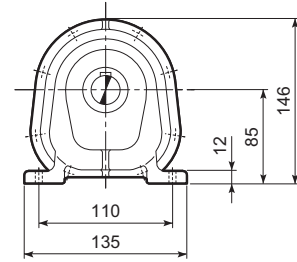
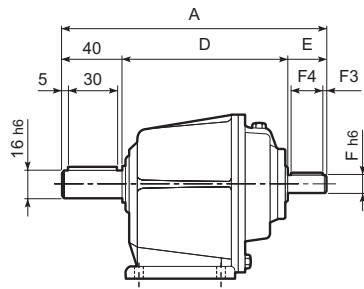
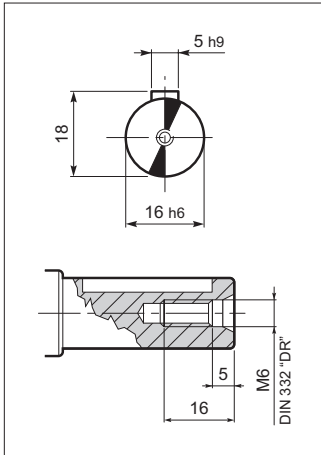
INPUT



	AS 16													IEC	BN...		BN...FD BN...FA	
	M	M1	M2	N	N1	N2	N3	N4	X	P			Kg		LB	AC	LB	AC
										...P	...F	...R						
	11	12.8	4	140	115	95	-	M8x19	5	170	-	-	3.4	BN 63	184	121	249	121
	14	16.3	5	160	130	110	-	M8x16	5	170	-	-	3.4	BN 71	219	138	280	138

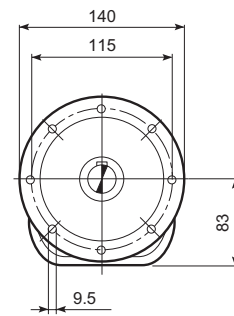
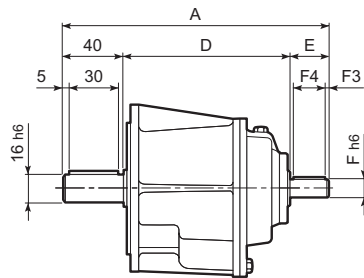
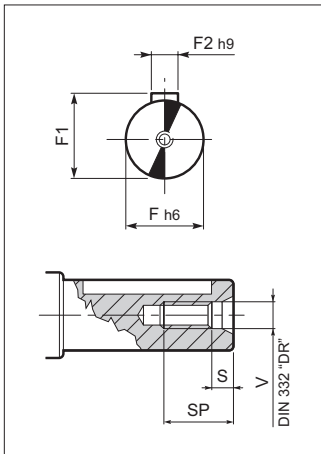


OUTPUT



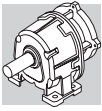
P

INPUT



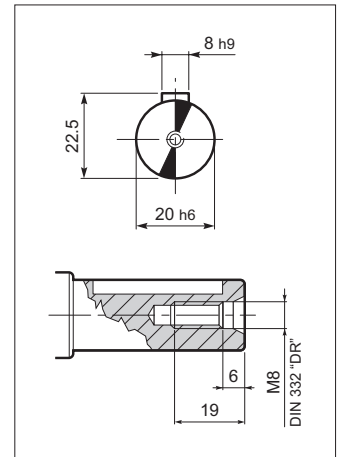
F

	AS 16											
	A	D	E	F	F1	F2	F3	F4	V	S	SP	Kg
AS 16 P_HS	206	126	40	16	18.8	5	5	30	M6	5	16	3.4
AS 16 F_HS	206	126	40	16	18.8	5	5	30	M6	5	16	3.4

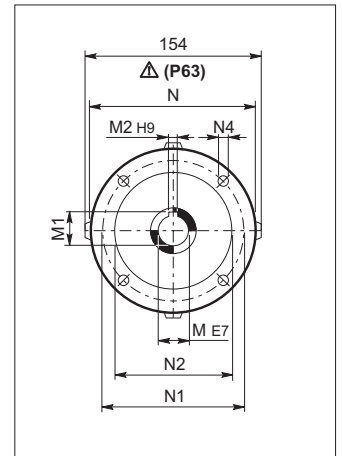


AS 20...P(IEC)

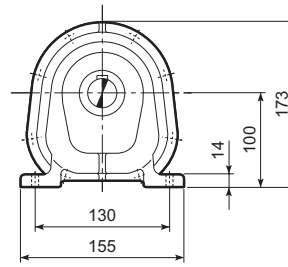
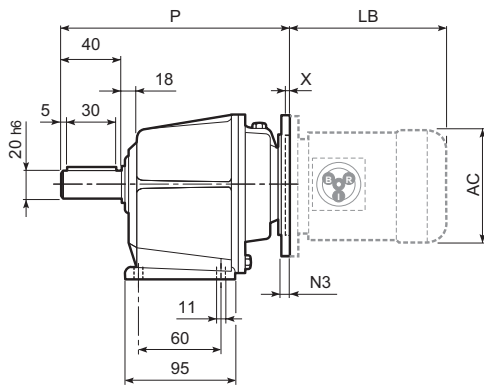
OUTPUT



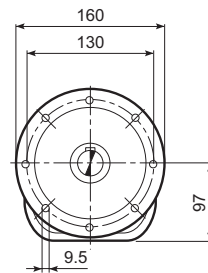
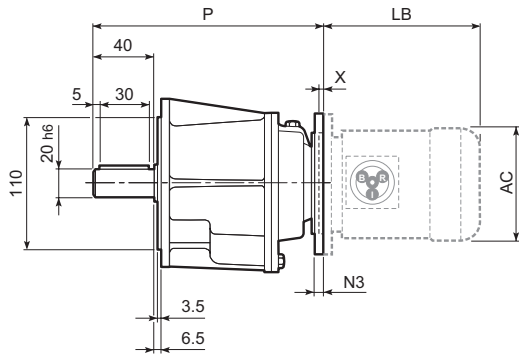
INPUT



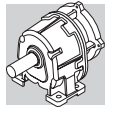
**P
DP**



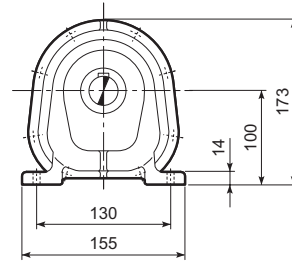
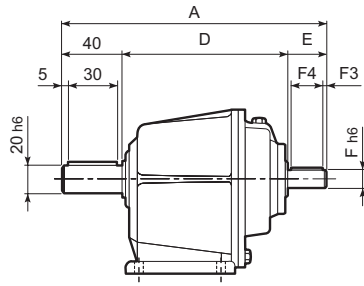
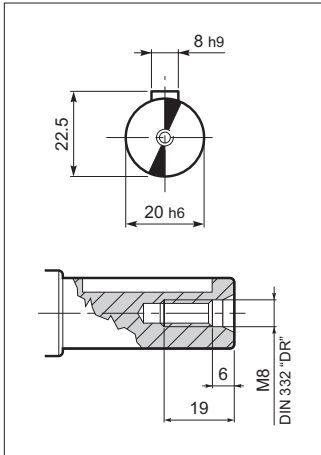
**F
DF**



	AS 20													IEC	BN...		BN...FD BN...FA	
	M	M1	M2	N	N1	N2	N3	N4	X	P			Kg		LB	AC	LB	AC
										...P	...F	...R						
AS 20_063	11	12.8	4	140	115	95	-	M8x19	5	195	195	-	6.4	BN 63	184	121	249	121
AS 20_071	14	16.3	5	160	130	110	-	M8x16	5	195	195	-	6.4	BN 71	219	138	280	138
AS 20_080	19	21.8	6	200	165	130	-	M10x12	5	200	200	-	6.4	BN 80	234	156	306	156
AS 20_090	24	27.3	8	200	165	130	-	M10x12	5	200	200	-	6.4	BN 90	276	176	359	176
AS 20 D_063	11	12.8	4	140	115	95	-	M8x19	3.5	194	194	-	6	BN 63	184	121	249	121
AS 20 D_071	14	16.3	5	160	130	110	-	M8x16	3.5	194	194	-	6	BN 71	219	138	280	138

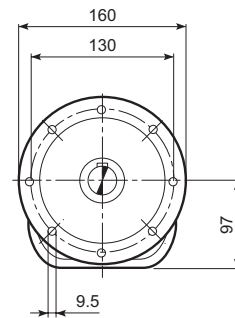
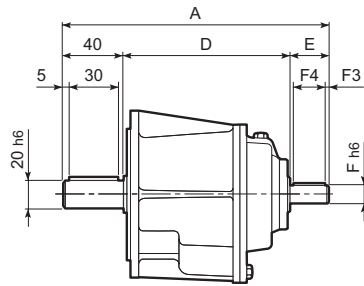
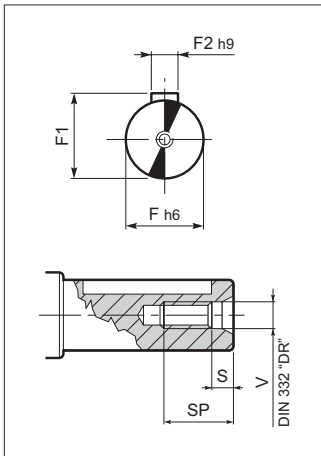


OUTPUT



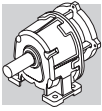
**P
DP**

INPUT



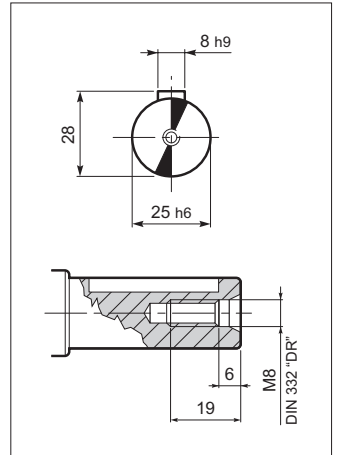
**F
DF**

	AS 20											
	A	D	E	F	F1	F2	F3	F4	V	S	SP	Kg
AS 20 P_HS	233	153	40	19	21.8	6	5	30	M6	5	16	6.4
AS 20 DP_HS	230	153	40	16	21.8	5	5	30	M6	5	16	6
AS 20 F_HS	233	153	40	19	21.8	6	5	30	M6	5	16	6.4
AS 20 DF_HS	230	153	40	16	18.8	5	5	30	M6	5	16	6

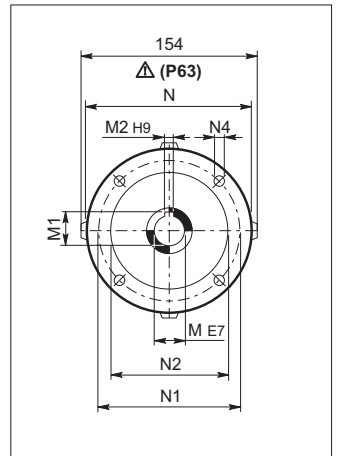


AS 25...P(IEC)

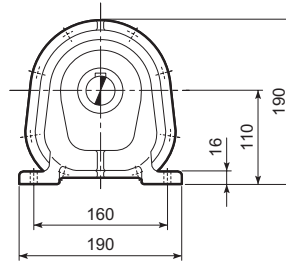
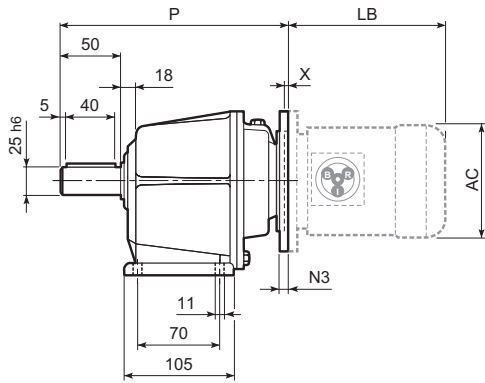
OUTPUT



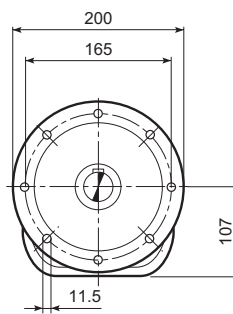
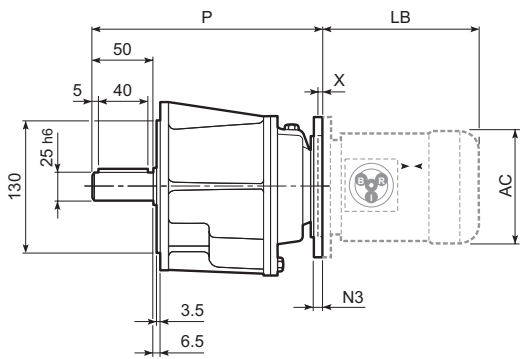
INPUT



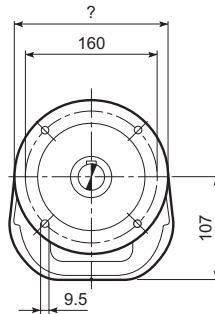
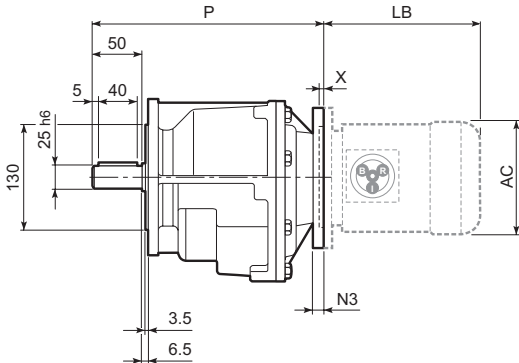
**P
DP**

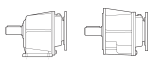


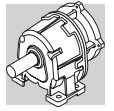
**F
DF**



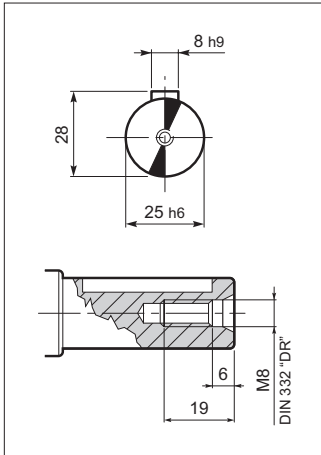
**R
DR**



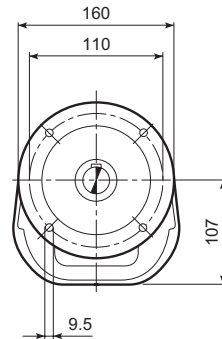
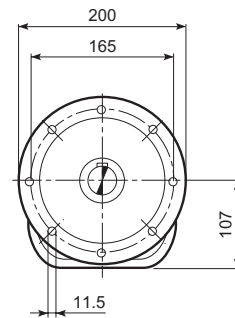
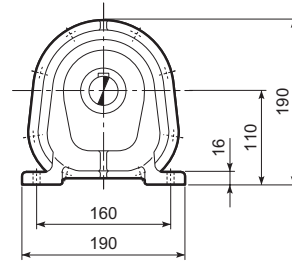
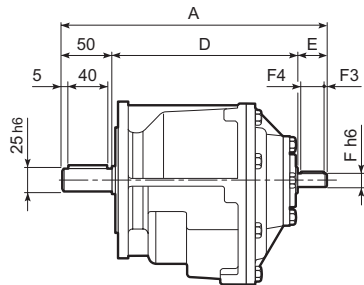
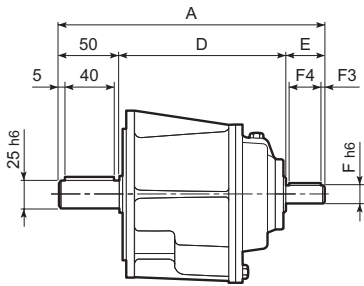
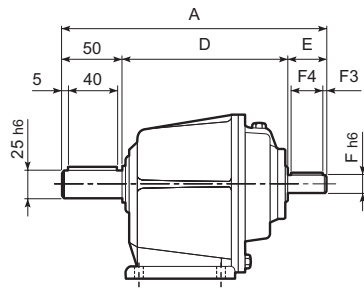
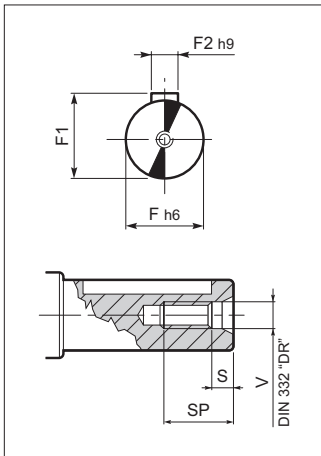
	AS 25													BN...		BN...FD BN...FA			
	M	M1	M2	N	N1	N2	N3	N4	X	P			Kg	IEC	LB	AC	LB	AC	
										...P	...F	...R							
	AS 25_071	14	16.3	5	160	130	110	-	M8x16	5	214	214	242	14	BN 71	219	138	280	138
	AS 25_080	19	21.8	6	200	165	130	-	M10x12	5	219	219	247	14	BN 80	234	156	306	156
	AS 25_090	24	27.3	8	200	165	130	-	M10x12	5	219	219	247	14	BN 90	276	176	359	176
	AS 25 D_063	11	12.8	4	140	115	95	-	M8x19	3.5	214	194	242	13.5	BN 63	184	121	249	121
	AS 25 D_071	14	16.3	5	160	130	110	-	M8x16	3.5	214	194	242	13.5	BN 71	219	138	280	138



OUTPUT



INPUT

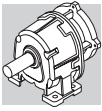


**P
DP**

**F
DF**

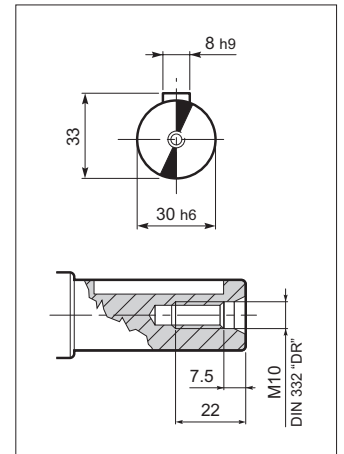
**R
DR**

	AS 25											
	A	D	E	F	F1	F2	F3	F4	V	S	SP	Kg
AS 25 P_HS	252	162	40	19	21.8	5	5	30	M6	5	16	14
AS 25 DP_HS	250	160	40	16	18.8	5	5	30	M6	5	16	13.5
AS 25 F_HS	252	162	40	19	21.8	5	5	30	M6	5	16	14
AS 25 DF_HS	250	160	40	16	18.8	5	5	30	M6	5	16	13.5
AS 25 R_HS	280	190	40	19	21.8	5	5	30	M6	5	16	14
AS 25 DR_HS	278	188	40	16	18.8	5	5	30	M6	5	16	13.5

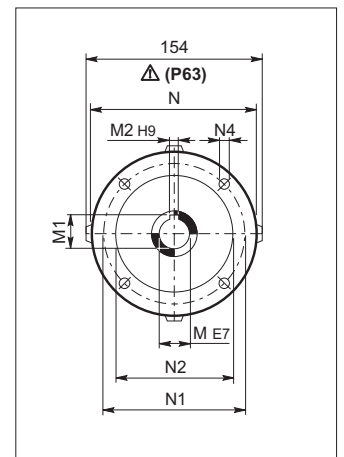


AS 30...P(IEC)

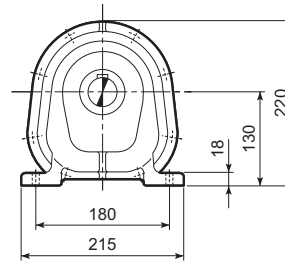
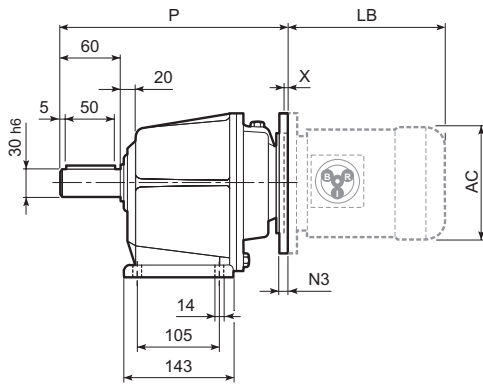
OUTPUT



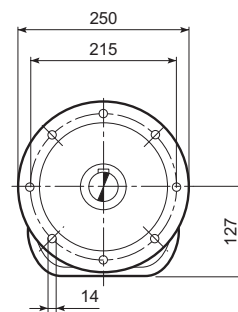
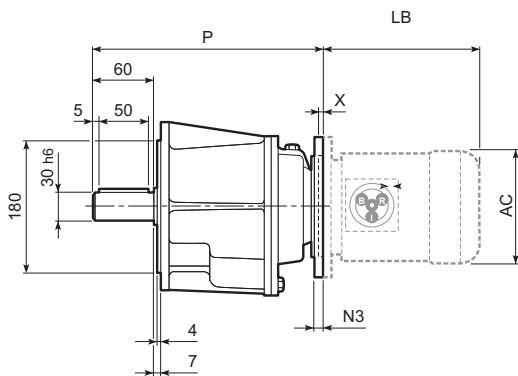
INPUT



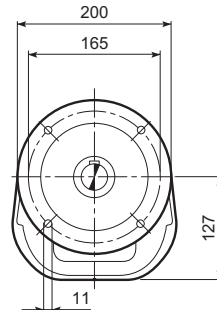
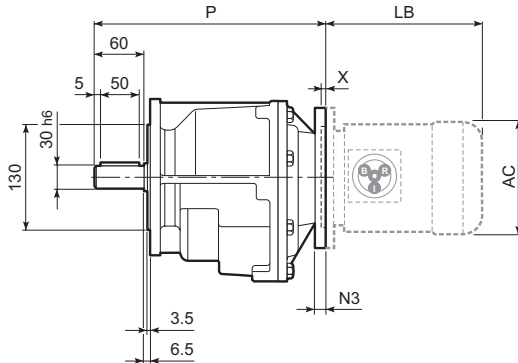
**P
DP**



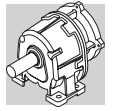
**F
DF**



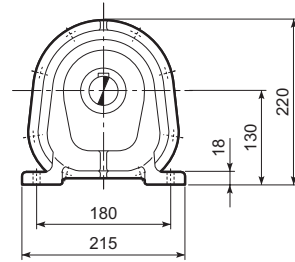
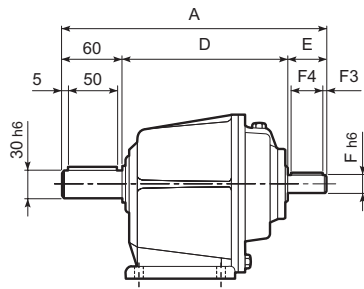
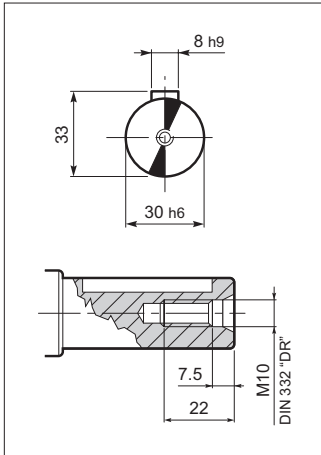
**R
DR**



	AS 30													IEC	BN...		BN...FD BN...FA	
	M	M1	M2	N	N1	N2	N3	N4	X	P			Kg		LB	AC	LB	AC
										...P	...F	...R						
AS 30_071	14	16.3	5	160	130	110	-	M8x16	5	284	284	-	23	BN 71	219	138	280	138
AS 30_080	19	21.8	6	200	165	130	-	M10x12	4	284	284	311	23	BN 80	234	156	306	156
AS 30_090	24	27.3	8	200	165	130	-	M10x12	4	284	284	311	23	BN 90	276	176	359	176
AS 30_100	28	31.3	8	250	215	180	-	M12x16	5	284	284	311	23	BN 100	307	195	398	195
AS 30_112	28	31.3	8	250	215	180	-	M12x16	5	284	284	311	23	BN 112	325	219	424	219
AS 30 D_071	14	16.3	5	160	130	110	-	M8x19	5	276	276	303	22.5	BN 71	219	138	280	138
AS 30 D_080	19	21.8	6	200	165	130	-	M10x19	5	281	281	308	22.5	BN 80	234	156	306	156
AS 30 D_090	24	27.3	8	200	165	130	-	M10x12	5	281	281	308	22.5	BN 90	276	176	359	176

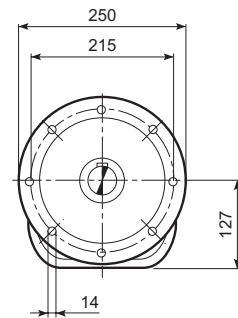
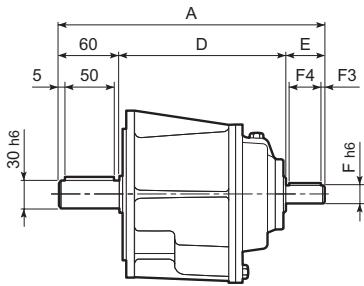
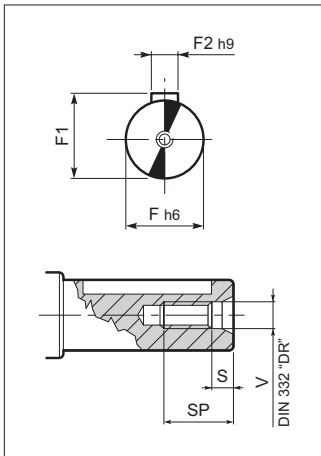


OUTPUT

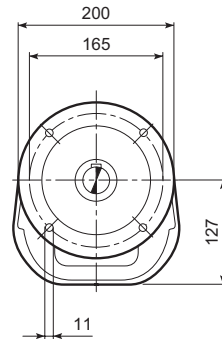
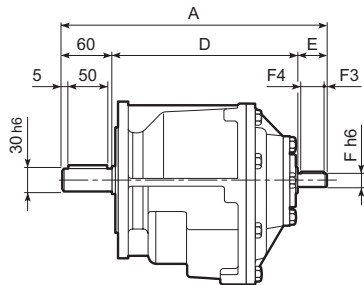


**P
DP**

INPUT

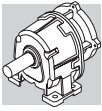


**F
DF**



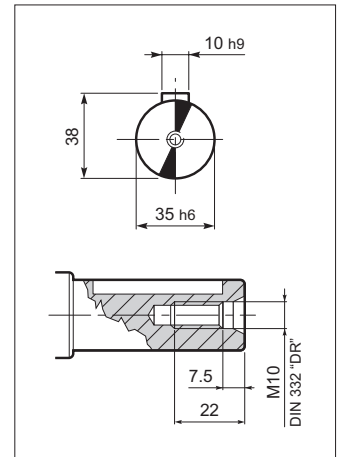
**R
DR**

	AS 30											
	A	D	E	F	F1	F2	F3	F4	V	S	SP	Kg
AS 30 P_HS	329	219	50	24	27.3	8	5	40	M8	6	19	23
AS 30 DP_HS	314	214	40	19	21.8	6	5	30	M6	5	16	22.5
AS 30 F_HS	329	219	50	24	27.3	8	5	40	M8	6	19	24
AS 30 DF_HS	314	214	40	19	21.8	6	5	30	M6	5	16	23.5
AS 30 R_HS	356	246	50	24	27.3	8	5	40	M8	6	19	22.5
AS 30 DR_HS	341	241	40	19	21.8	6	5	30	M6	5	16	23.5

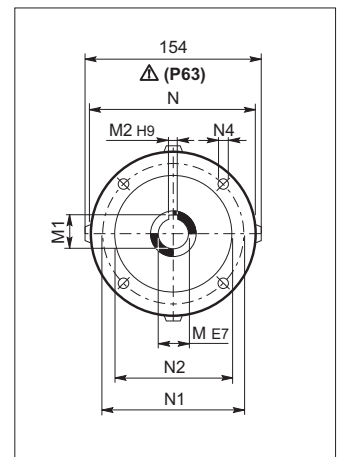


AS 35...P(IEC)

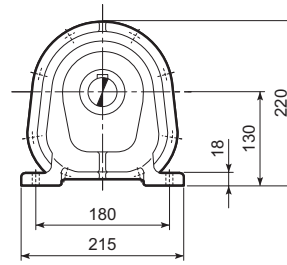
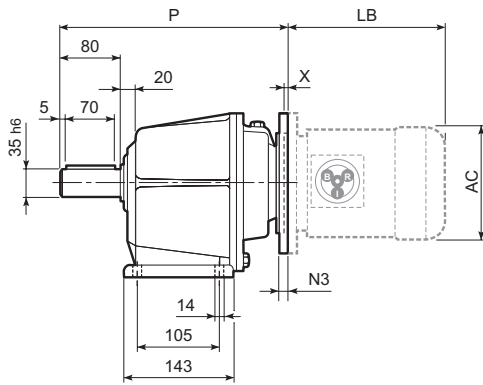
OUTPUT



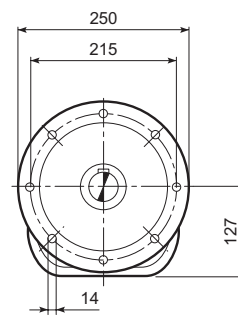
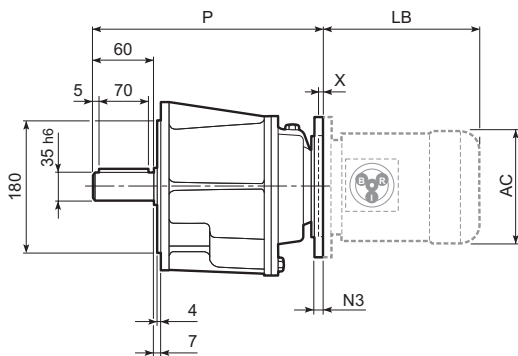
INPUT



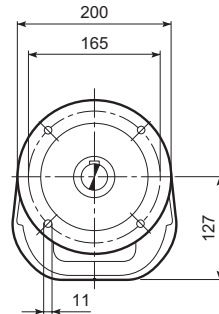
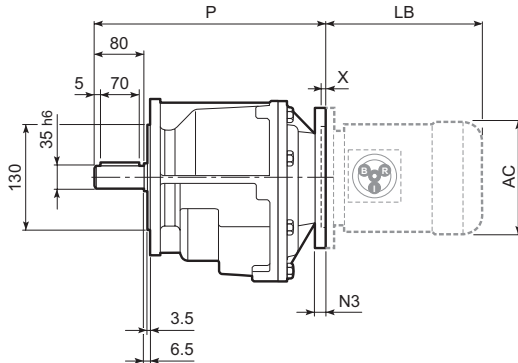
**P
DP**



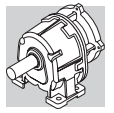
**F
DF**



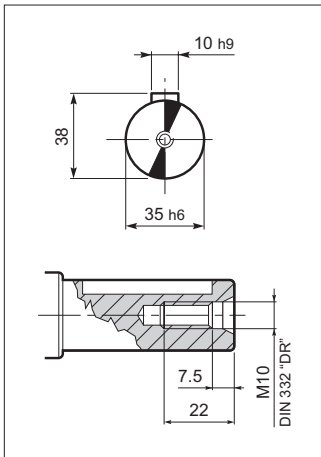
**R
DR**



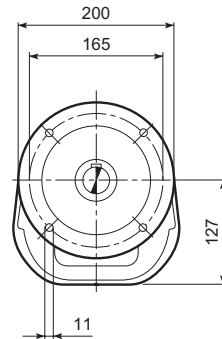
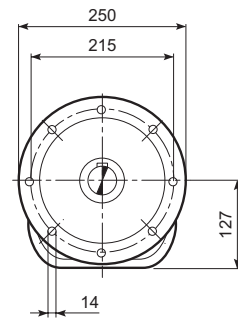
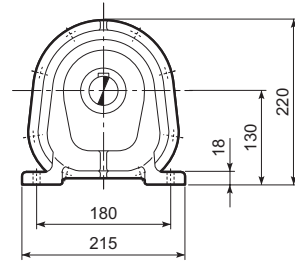
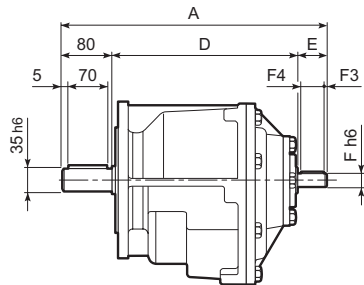
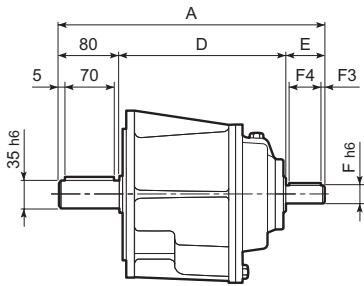
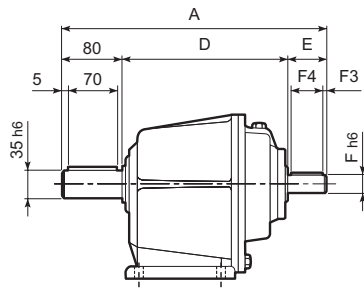
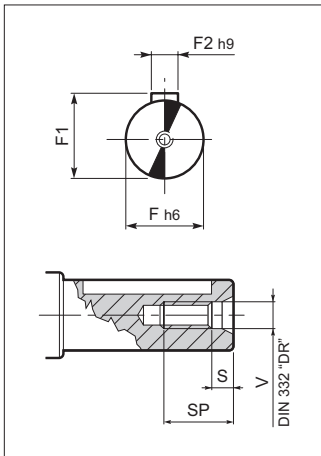
	AS 35													Kg	IEC	BN...		BN...FD BN...FA	
	M	M1	M2	N	N1	N2	N3	N4	X	P			LB			AC	LB	AC	
P	...F	...R	
AS 35_071	14	16.3	5	160	130	110	-	M8x16	5	304	304	-	24	BN 71	219	138	280	138	
AS 35_080	19	21.8	6	200	165	130	-	M10x12	4	304	304	331	24	BN 80	234	156	306	156	
AS 35_090	24	27.3	8	200	165	130	-	M10x12	4	304	304	331	24	BN 90	276	176	359	176	
AS 35_100	28	31.3	8	250	215	180	-	M12x16	5	304	304	-	24	BN 100	307	195	398	195	
AS 35_112	28	31.3	8	250	215	180	-	M12x16	5	304	304	-	24	BN 112	325	219	424	219	
AS 35 D_071	14	16.3	5	160	130	110	-	M8x19	5	296	296	323	23.5	BN 71	219	138	280	138	
AS 35 D_080	19	21.8	6	200	165	130	-	M10x19	5	301	301	328	23.5	BN 80	234	156	306	156	
AS 35 D_090	24	27.3	8	200	165	130	-	M10x12	5	301	301	328	23.5	BN 90	276	176	359	176	



OUTPUT



INPUT

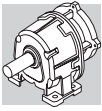


**P
DP**

**F
DF**

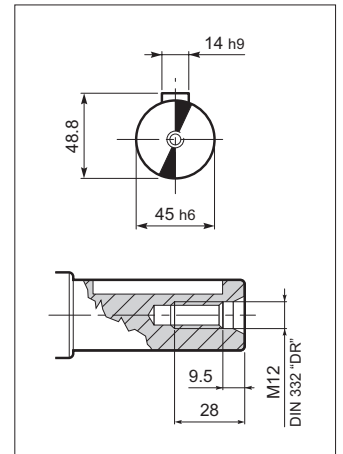
**R
DR**

	AS 35											
	A	D	E	F	F1	F2	F3	F4	V	S	SP	Kg
AS 35 P_HS	349	219	50	24	27.3	8	5	40	M8	6	19	24
AS 35 DP_HS	334	214	40	19	21.8	6	5	30	M6	5	16	23.5
AS 35 F_HS	349	219	50	24	27.3	8	5	40	M8	6	19	24
AS 35 DF_HS	334	214	40	19	21.8	6	5	30	M6	5	16	23.5
AS 35 R_HS	376	246	50	24	27.3	8	5	40	M8	6	19	23.5
AS 35 DR_HS	361	241	40	19	21.8	6	5	30	M6	5	16	23

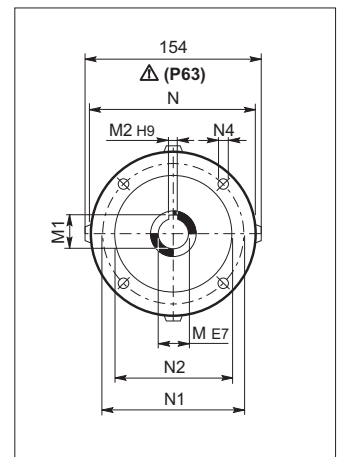


AS 45...P(IEC)

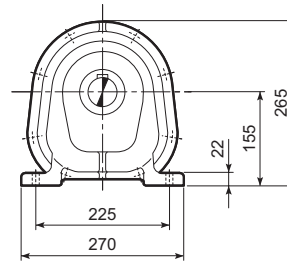
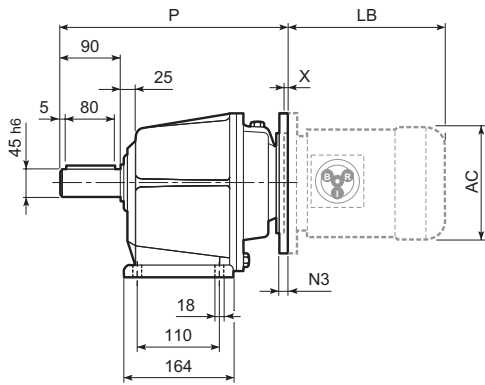
OUTPUT



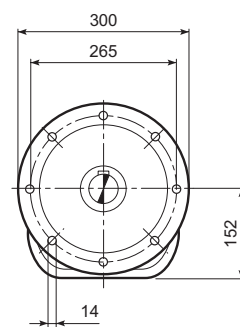
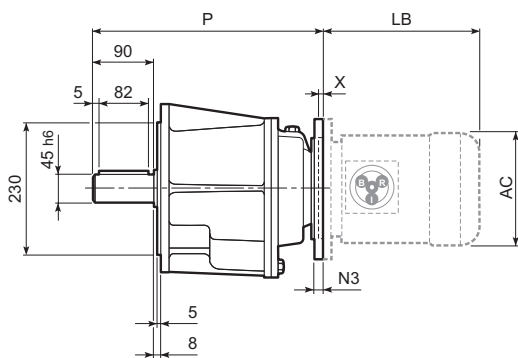
INPUT

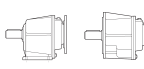


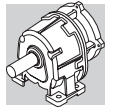
**P
DP**



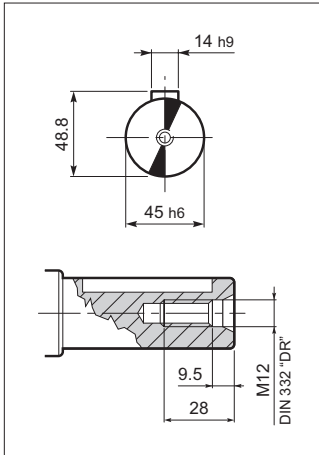
**F
DF**



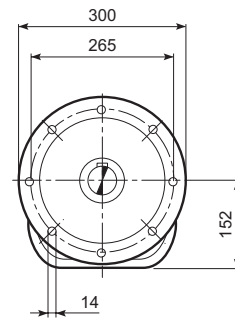
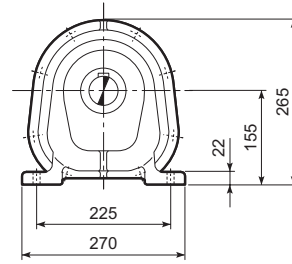
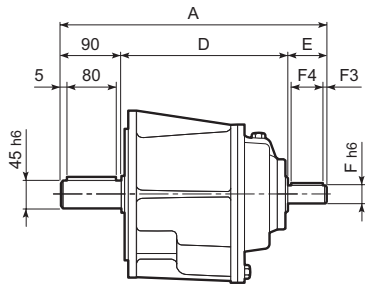
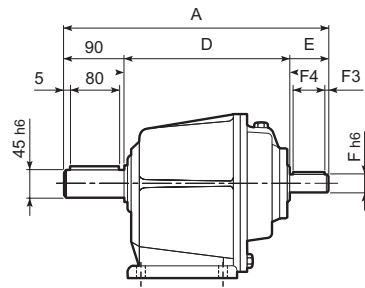
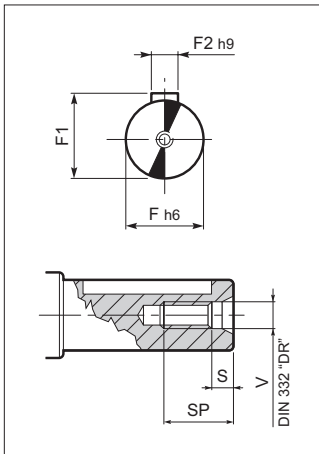
	AS 45													IEC	BN...		BN...FD BN...FA		
	M	M1	M2	N	N1	N2	N3	N4	X	P			Kg		LB	AC	LB	AC	
										...P	...F	...R							
	AS 45_090	24	27.3	8	200	165	130	-	M10x12	4	340	340	-	40	BN 90	276	176	359	176
	AS 45_100	28	31.3	8	250	215	180	-	M12x16	5	340	340	-	40	BN 100	307	195	398	195
	AS 45_112	28	31.3	8	250	215	180	-	M12x16	5	340	340	-	40	BN 112	325	219	424	219
	AS 45_132	38	41.3	10	300	265	230	16	14	5	360	360	-	40	BN 132	413	258	523	258
	AS 45 D_071	14	16.3	5	160	130	110	-	M8x19	5	350	350	-	35	BN 71	219	138	280	138
	AS 45 D_080	19	21.8	6	200	165	130	-	M10x19	5	350	350	-	35	BN 80	234	156	306	156
	AS 45 D_090	24	27.3	8	200	165	130	-	M10x20	5	350	350	-	35	BN 90	276	176	359	176



OUTPUT



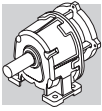
INPUT



**P
DP**

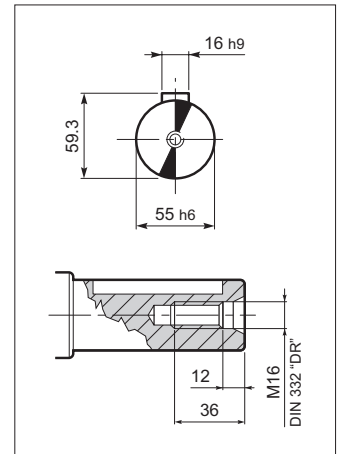
**F
DF**

	AS 45											
	A	D	E	F	F1	F2	F3	F4	V	S	SP	Kg
AS 45 P_HS	392	245	60	28	31.3	8	5	50	M10	7.5	22	40
AS 45 DP_HS	395	255	50	24	27.3	8	5	40	M8	6	19	35
AS 45 F_HS	392	245	60	28	31.3	8	5	50	M10	7.5	22	40
AS 45 DF_HS	395	255	50	24	27.3	8	5	40	M8	6	19	35

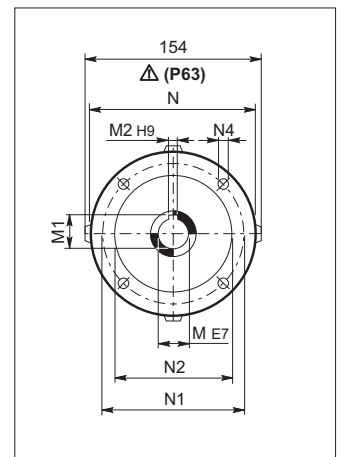


AS 55...P(IEC)

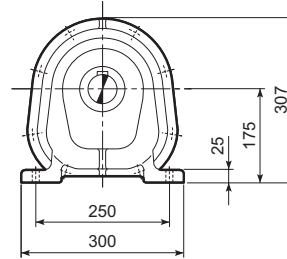
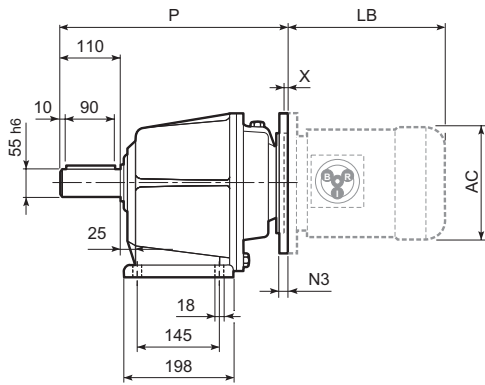
OUTPUT



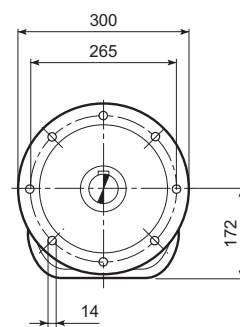
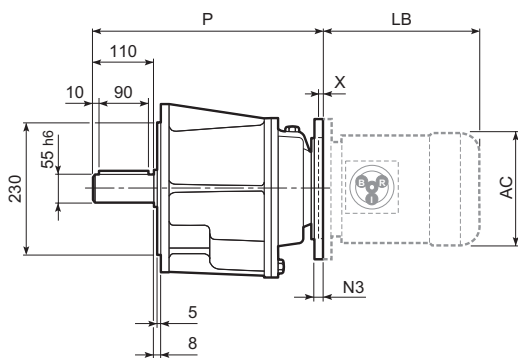
INPUT



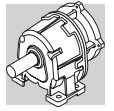
P
DP



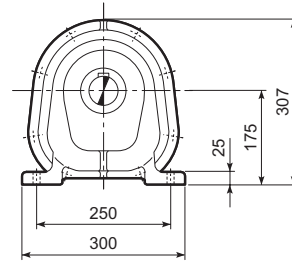
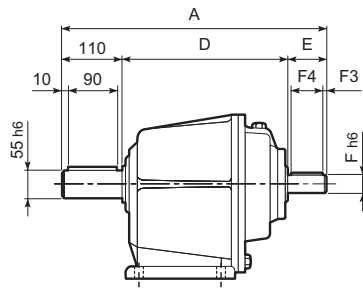
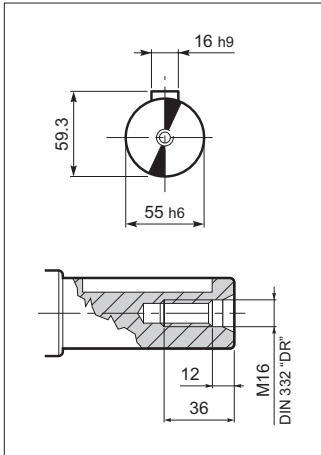
F
DF



	AS 55													Kg	IEC	BN...		BN...FD BN...FA	
	M	M1	M2	N	N1	N2	N3	N4	X	P			LB			AC	LB	AC	
										...P	...F	...R							
	AS 55_100	28	31.3	8	250	215	180	-	M12x16	5	430	430	-	61	BN 100	307	195	398	195
	AS 55_112	28	31.3	8	250	215	180	-	M12x16	5	430	430	-	61	BN 112	325	219	424	219
	AS 55_132	38	41.3	10	300	265	230	16	14	5	460	460	-	61	BN 132	413	258	523	258
	AS 55_160	42	45.3	12	350	300	250	23	18	6	460	460	-	61	BN 160MR	452	258	562	258
															BN 160M/L	486	310	626	310
	AS 55 D_080	19	21.8	6	200	165	130	-	M10x19	4	418	418	-	56	BN 80	234	156	306	156
	AS 55 D_090	24	27.3	8	200	165	130	-	M10x20	4	418	418	-	56	BN 90	276	176	359	176
	AS 55 D_100	28	31.3	8	250	215	180	-	M12x16	5	418	418	-	56	BN 100	307	195	398	195
	AS 55 D_112	28	31.3	8	250	215	180	-	M12x16	5	438	438	-	56	BN 112	325	219	424	219
	AS 55 D_132	38	41.3	10	300	265	230	16	14	5	438	438	-	56	BN 132	413	258	523	258

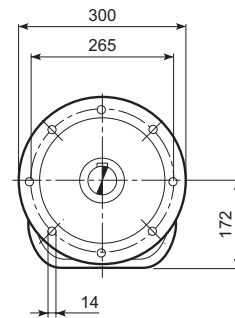
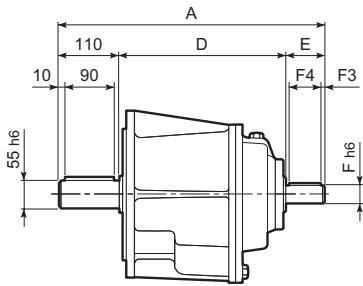
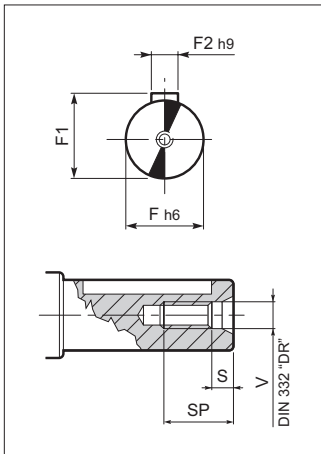


OUTPUT



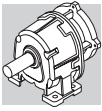
**P
DP**

INPUT



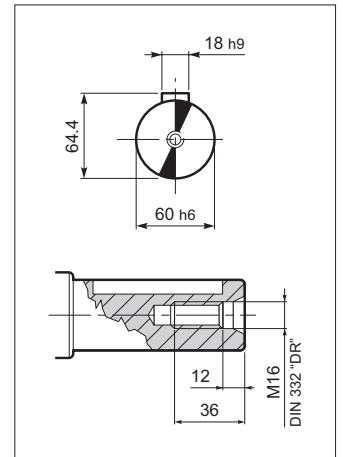
**F
DF**

	AS 55											
	A	D	E	F	F1	F2	F3	F4	V	S	SP	kg
AS 55 P_HS	505	315	80	38	41.3	10	10	60	M12	9.5	28	61
AS 55 DP_HS	475	305	60	28	31.3	8	5	50	M10	7.5	22	56
AS 55 F_HS	505	315	80	38	41.3	10	10	60	M12	9.5	28	61
AS 55 DF_HS	475	305	60	28	31.3	8	5	50	M10	7.5	22	56

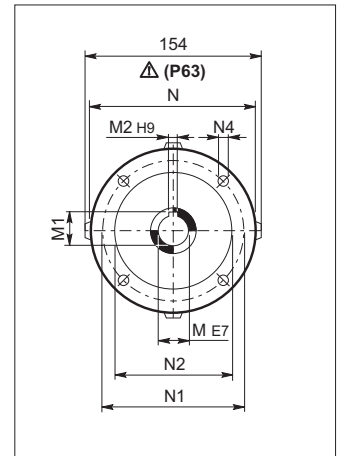


AS 60...P(IEC)

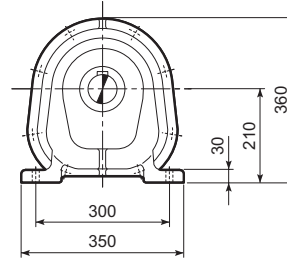
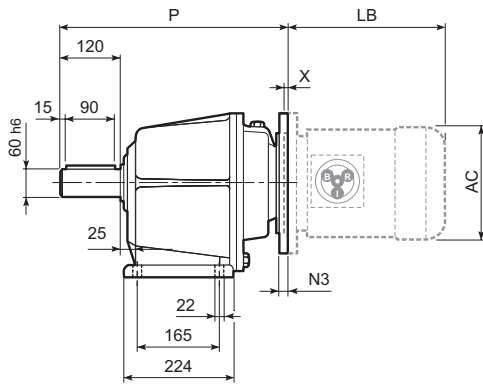
OUTPUT



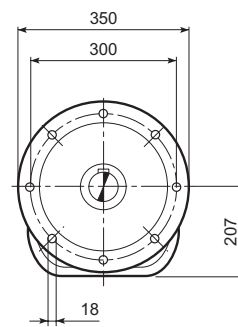
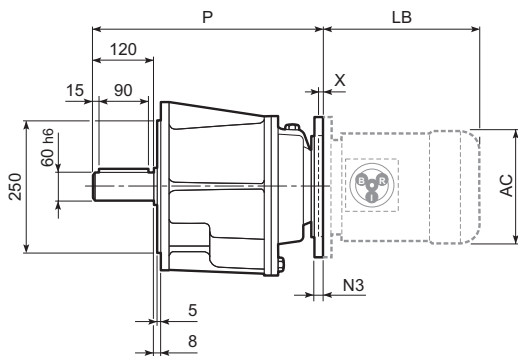
INPUT



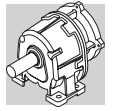
**P
DP**



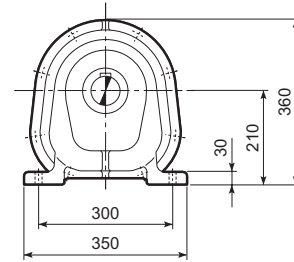
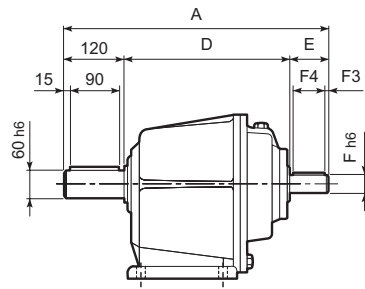
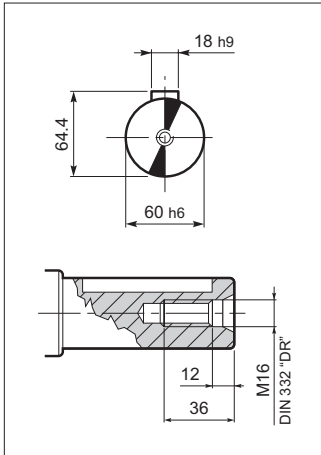
**F
DF**



	AS 60												Kg	IEC	BN...		BN...FD BN...FA	
	M	M1	M2	N	N1	N2	N3	N4	X	P					LB	AC	LB	AC
										...P	...F	...R						
AS 60_132	38	41.3	10	300	265	230	16	14	5	470	470	-	91	BN 132	413	258	523	258
AS 60_160	42	45.3	12	350	300	250	23	18	5	495	495	-	91	BN 160MR	452	258	562	258
														BN 160M/L	486	310	626	310
AS 60_180	48	51.8	14	350	300	250	23	18	6	495	495	-	91	BN 180M	530	310	670	310
														BN 180L	598	348	756	348
AS 60 D_080	19	21.8	6	200	165	130	-	M10x19	4	457	457	-	86	BN 80	234	156	306	156
AS 60 D_090	24	27.3	8	200	165	130	-	M10x20	4	457	457	-	86	BN 90	276	176	359	176
AS 60 D_100	28	31.3	8	250	215	180	-	M12x16	5	457	457	-	86	BN 100	307	195	398	195
AS 60 D_112	28	31.3	8	250	215	180	-	M12x16	5	457	457	-	86	BN 112	325	219	424	219
AS 60 D_132	38	41.3	10	300	265	230	16	14	5	477	477	-	86	BN 132	413	258	523	258

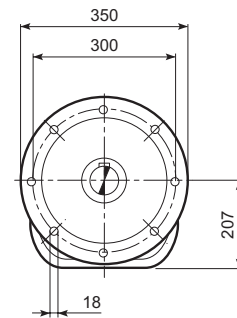
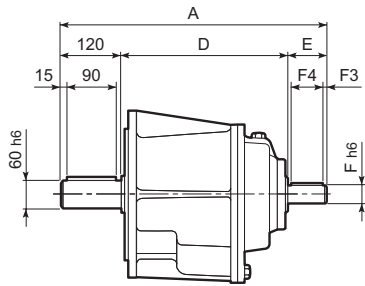
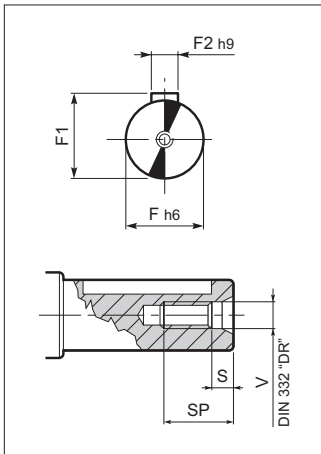


OUTPUT



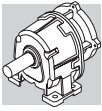
**P
DP**

INPUT



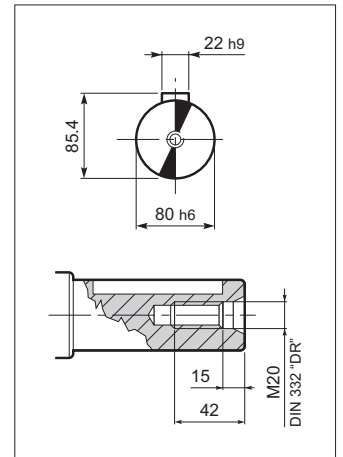
**F
DF**

	AS 60											
	A	D	E	F	F1	F2	F3	F4	V	S	SP	Kg
AS 60 P_HS	575	345	110	42	45.3	12	10	90	M12	9.5	28	91
AS 60 DP_HS	535	335	80	38	41.3	10	10	60	M12	9.5	28	86
AS 60 F_HS	575	345	110	42	45.3	12	10	90	M12	9.5	28	91
AS 60 DF_HS	535	335	80	38	41.3	10	10	60	M12	9.5	28	86

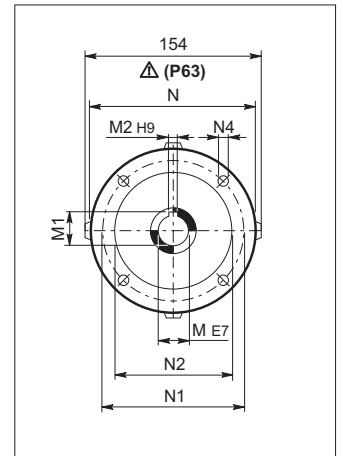


AS 80...P(IEC)

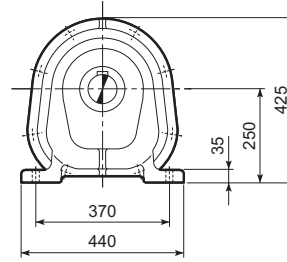
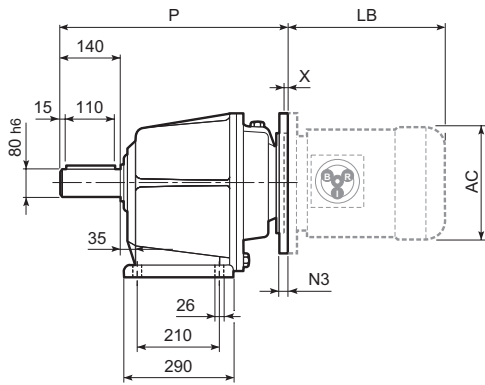
OUTPUT



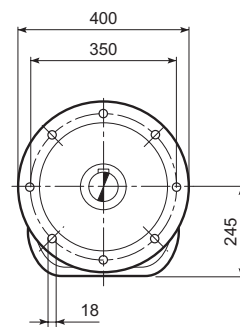
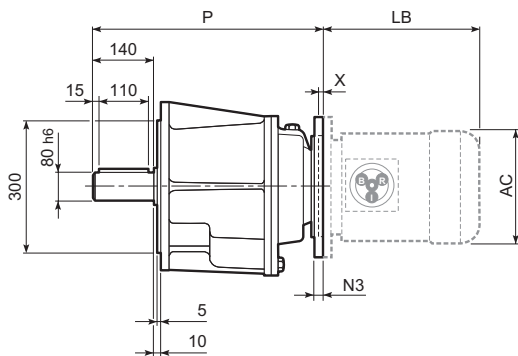
INPUT



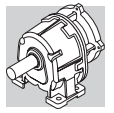
**P
DP**



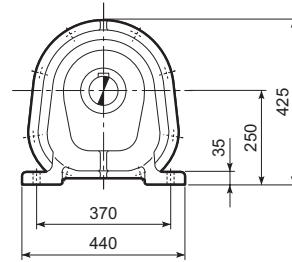
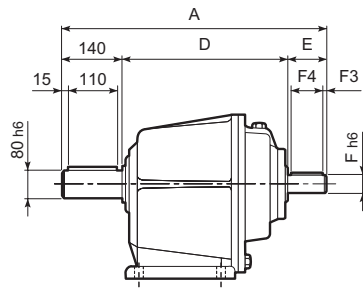
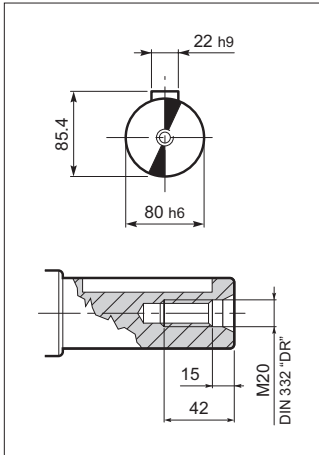
**F
DF**



	AS 80													BN...		BN...FD BN...FA		
	M	M1	M2	N	N1	N2	N3	N4	X	P			Kg	IEC	LB	AC	LB	AC
										...P	...F	...R						
AS 80_160	42	45.3	12	350	300	250	23	18	6	600	600	-	152	BN 160MR	452	258	562	258
														BN 160M/L	486	310	626	310
AS 80_180	48	51.8	14	350	300	250	23	18	6	600	600	-	152	BN 180M	530	310	670	310
														BN 180L	598	348	756	348
AS 80_200	55	59.3	16	400	350	300	-	M16x25	6	600	600	-	152	BN 200L	612	348	768	348
AS 80 D_100	28	31.3	8	250	215	180	-	M12x16	5	585	585	-	147	BN 100	307	195	398	195
AS 80 D_112	28	31.3	8	250	215	180	-	M12x16	5	585	585	-	147	BN 112	325	219	424	219
AS 80 D_132	38	41.3	10	300	265	230	16	14	5	615	615	-	147	BN 132	413	258	523	258
AS 80 D_160	42	45.3	12	350	300	250	23	18	5	615	615	-	147	BN 160MR	452	258	562	258
														BN 160M/L	486	310	626	310

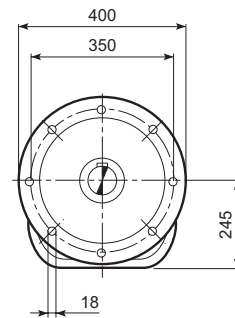
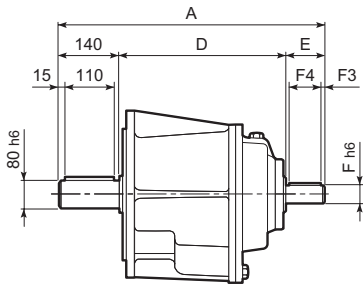
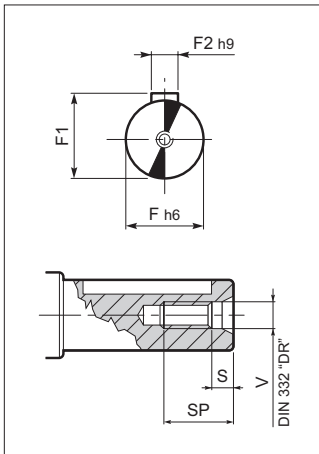


OUTPUT



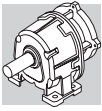
**P
DP**

INPUT



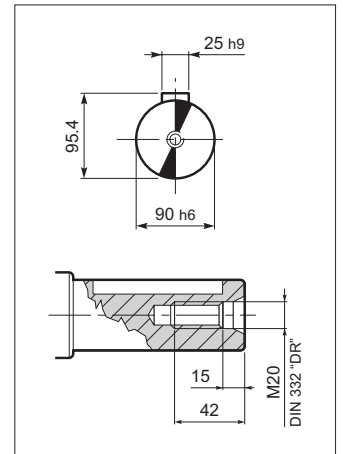
**F
DF**

	AS 80											
	A	D	E	F	F1	F2	F3	F4	V	S	SP	Kg
AS 80 P_HS	705	455	110	48	51.8	14	10	90	M16	12	36	152
AS 80 DP_HS	690	440	110	42	45.3	12	10	90	M12	9.5	28	147
AS 80 F_HS	705	455	110	48	51.8	14	10	90	M16	12	36	152
AS 80 DF_HS	690	440	110	42	45.3	12	10	90	M12	9.5	28	147

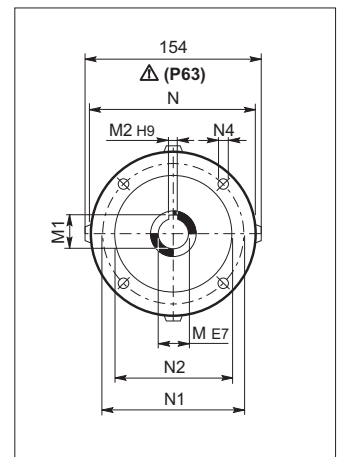


AS 90...P(IEC)

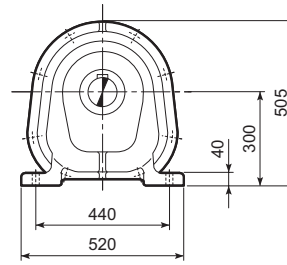
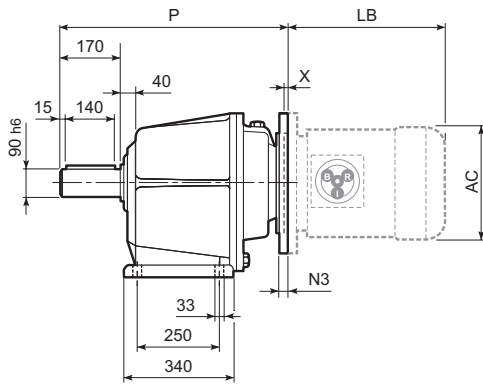
OUTPUT



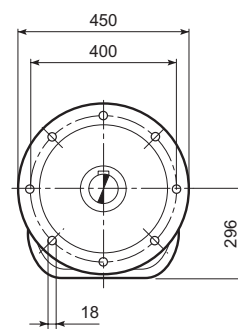
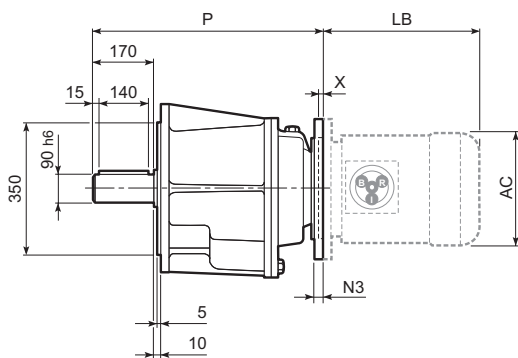
INPUT



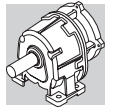
P
DP



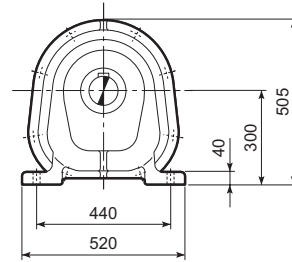
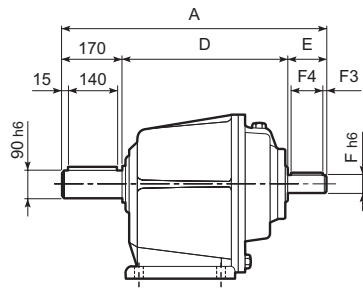
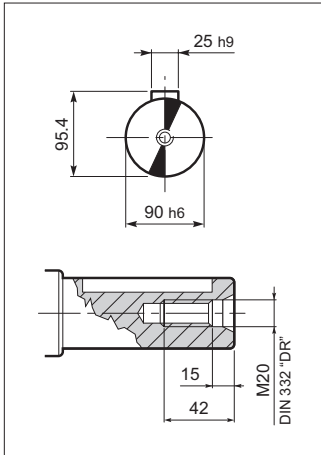
F
DF



	AS 90													BN...		BN...FD BN...FA		
	M	M1	M2	N	N1	N2	N3	N4	X	P			Kg	IEC	LB	AC	LB	AC
										...P	...F	...R						
AS 90_180	48	51.8	14	350	300	250	23	18	6	685	685	-	239	BN 180M	530	310	670	310
														BN 180L	598	348	756	348
AS 90_200	55	59.3	16	400	350	300	-	M16x25	6	685	685	-	239	BN 200L	612	348	768	348
AS 90_225	60	64.4	18	450	400	350	25	18	6	710	710	-	239	-	-	-	-	-
AS 90 D_100	28	31.3	8	250	215	180	-	M12x16	5	664	664	-	232	BN 100	307	195	398	195
AS 90 D_112	28	31.3	8	250	215	180	-	M12x16	5	664	664	-	232	BN 112	325	219	424	219
AS 90 D_132	38	41.3	10	300	265	230	16	14	5	689	689	-	232	BN 132	413	258	523	258
AS 90 D_160	42	45.3	12	350	300	250	23	18	5	689	689	-	232	BN 160MR	452	258	562	258
														BN 160M/L	486	310	626	310
AS 90 D_180	48	51.8	14	350	300	250	23	18	5	689	689	-	232	BN 180M	530	310	670	310
														BN 180L	598	348	756	348

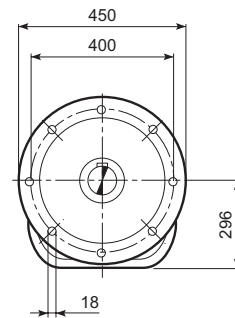
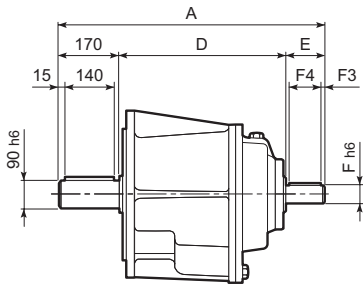
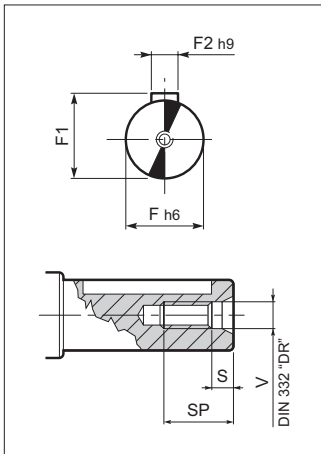


OUTPUT



**P
DP**

INPUT



**F
DF**

	AS 90											
	A	D	E	F	F1	F2	F3	F4	V	S	SP	Kg
AS 90 P_HS	787	507	110	55	59.3	16	10	90	M16	12	36	239
AS 90 DP_HS	770	490	110	50	53.8	14	10	90	M16	12	36	232
AS 90 F_HS	787	507	110	55	59.3	16	10	90	M16	12	36	239
AS 90 DF_HS	770	490	110	50	53.8	14	10	90	M16	12	36	232