

### Input data

System of measurement		Metric
Input type		Gear motor
Input speed	[rpm]	1400
Output speed	[rpm]	28.57
Ratio (i=)		49
Frequency	[Hz]	50
Input options		IEC
Requested input power	[kW]	1.1
Service factor		1.3
Rated Power P1	[kW]	1.41

### Output data

**Gear unit** **M RT 85 B3 49 90 B14 AC 32 MT 1.1 kW 90 S4 B14 X3**

Type		RT - Worm speed reducers
Input type		M
Size		85
Ratio (i=)		49
Input flange		B14
Input speed	[rpm]	1400
Output speed	[rpm]	28.57
Rated output torque	[Nm]	246.34
Service Factor		1.3
Efficiency		0.67
Inertia moment	[kgm <sup>2</sup> ]	0.000342

#### Gear unit configuration

Output shaft		Hollow output shaft
Fixing		Universal
Version		B3

#### Output radial and axial loads

Ball bearings output radial load	[N]	6300
Taper bearings output radial load	[N]	8400
Ball bearings output axial load	[N]	1260
Taper bearings output axial load	[N]	1680

#### Accessories

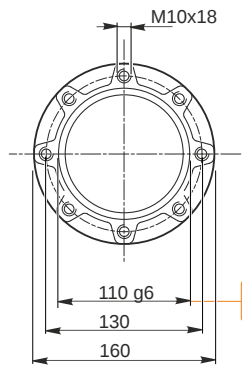
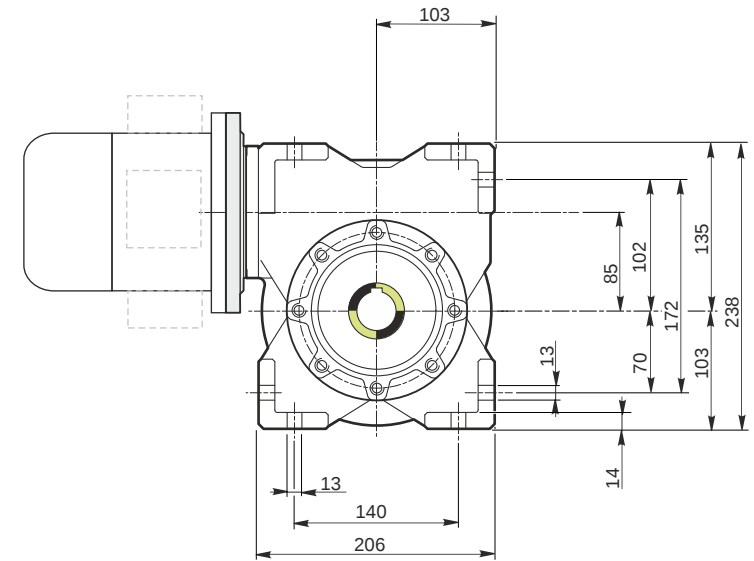
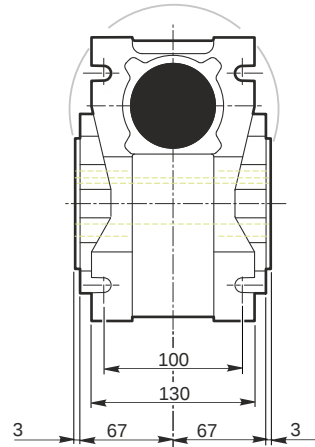
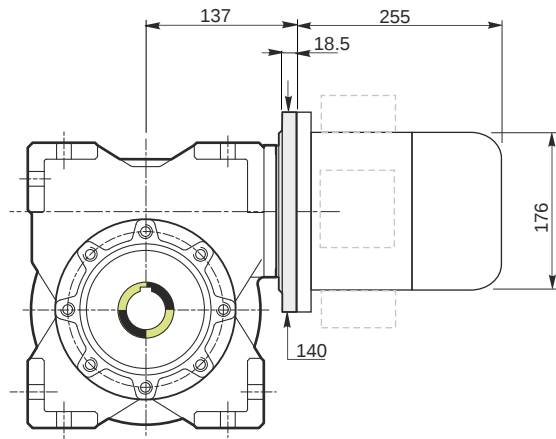
Hollow output shaft		AC 32
---------------------	--	-------

#### Electric motor

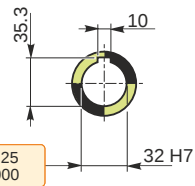
Size		90 S4
Poles		4
Power	[kW]	1.1

#### Electric motor configuration

Motor flange		B14
Terminal box position		X3

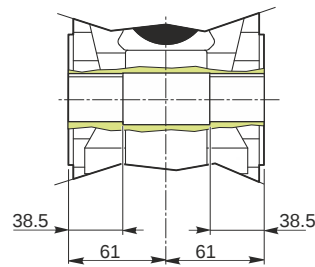


*Hollow output shaft*

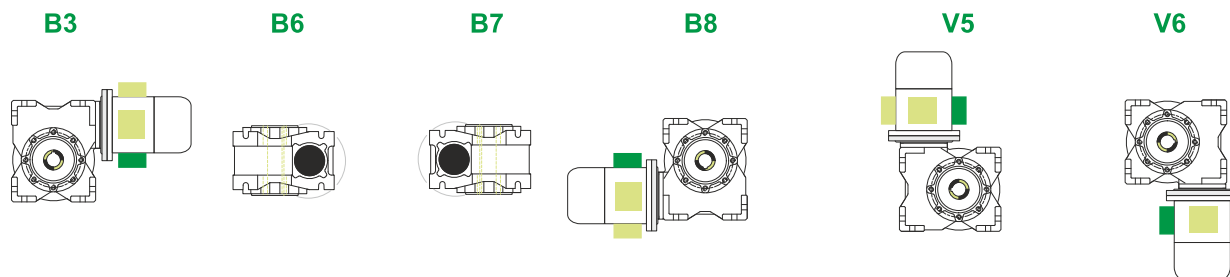


109.988  
109.966

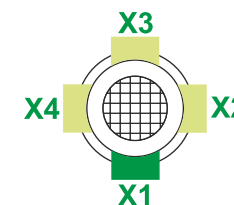
32.025  
32.000



### Mounting positions



Terminal box position



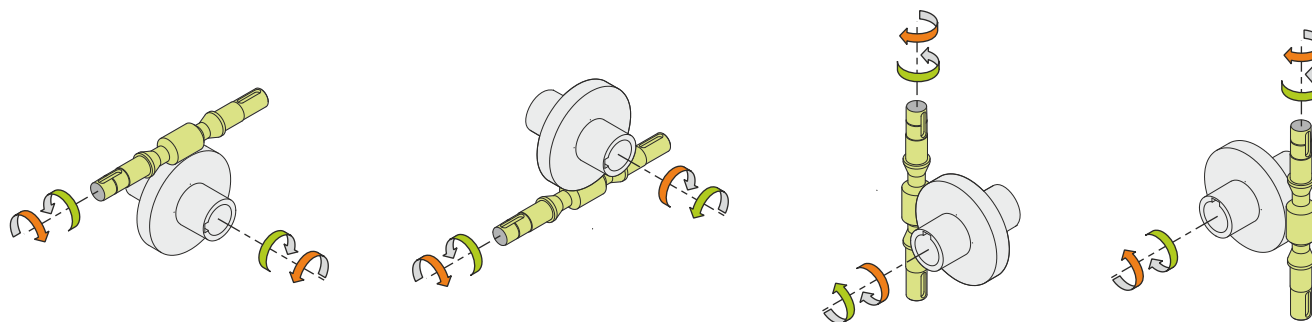
0.6



← Oil quantity [litres]

Lubricant type: Long life synthetic oil ISO VG320

### Direction of rotation



### Weight

Gear unit [kg]	13.5
Electric motor [kg]	12

### Gearing data

Axial module	2.8
Number of starts	1
Lead angle	4° 52'
Pressure angle	20°

### Backdriving

Static self-locking  
Slow back-driving in case of vibrations  
Low dynamic back-driving