

### Input data

System of measurement		Metric
Input type		Gear motor
Input speed	[rpm]	1400
Output speed	[rpm]	200
Ratio (i=)		7
Frequency	[Hz]	50
Input options		IEC
Requested input power	[kW]	1.5
Service factor		2.6
Rated Power P1	[kW]	3.95

### Output data

**Gear unit** **M RT 70 B3 7 90 B14 AC 28 MT 1.5 kW 90 L4 B14 X3**

Type		RT - Worm speed reducers
Input type		M
Size		70
Ratio (i=)		7
Input flange		B14
Input speed	[rpm]	1400
Output speed	[rpm]	200
Rated output torque	[Nm]	63.03
Service Factor		2.6
Efficiency		0.88
Inertia moment	[kgm <sup>2</sup> ]	0.000306

#### Gear unit configuration

Output shaft		Hollow output shaft
Fixing		Universal
Version		B3

#### Output radial and axial loads

Ball bearings output radial load	[N]	2700
Taper bearings output radial load	[N]	3300
Ball bearings output axial load	[N]	540
Taper bearings output axial load	[N]	660

#### Accessories

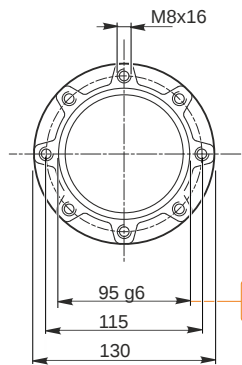
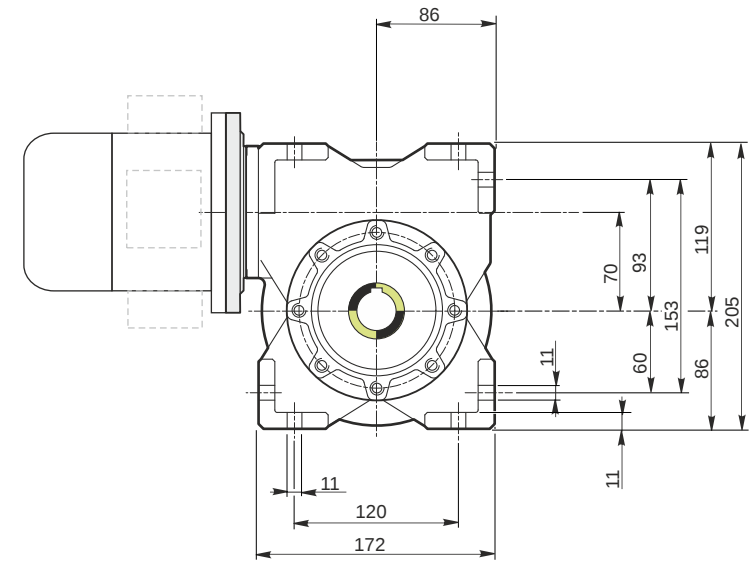
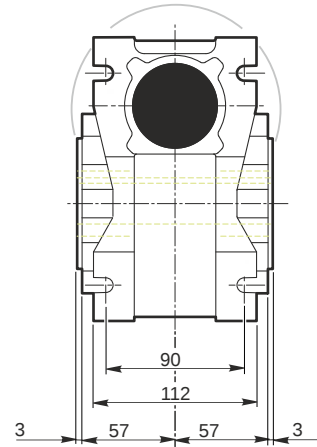
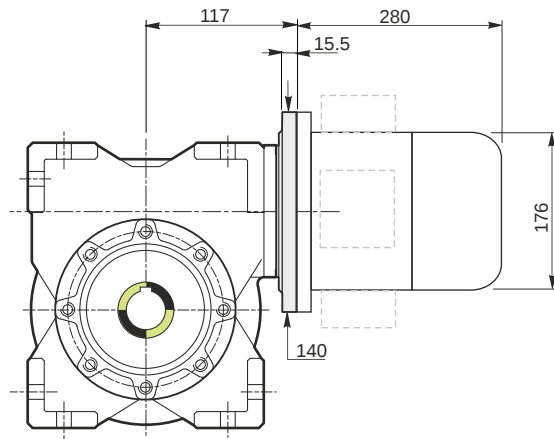
Hollow output shaft		AC 28
---------------------	--	-------

#### Electric motor

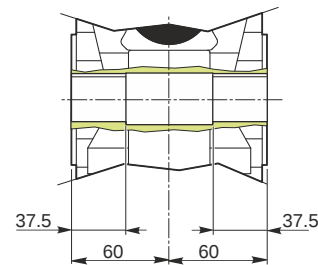
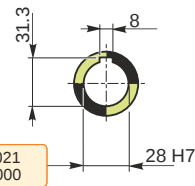
Size		90 L4
Poles		4
Power	[kW]	1.5

#### Electric motor configuration

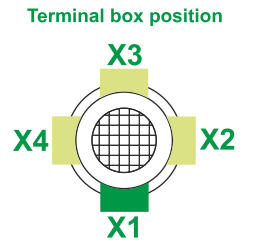
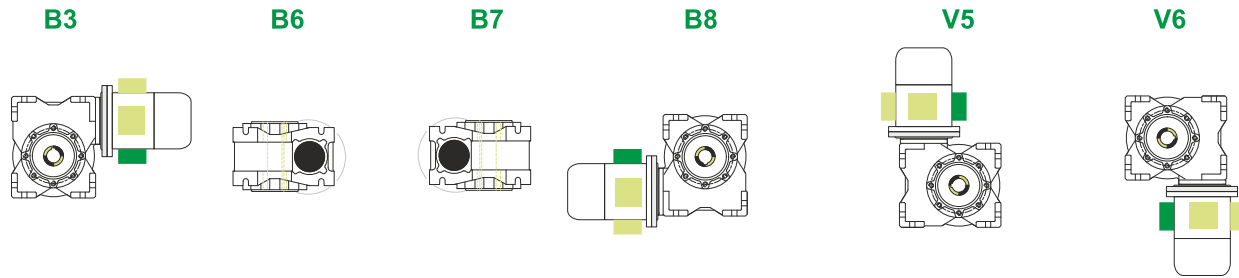
Motor flange		B14
Terminal box position		X3



*Hollow output shaft*



**Mounting positions**



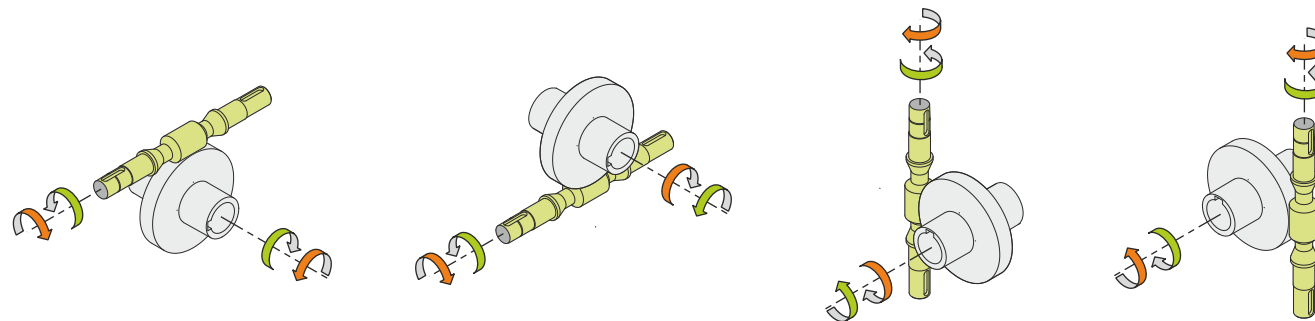
0.35



← Oil quantity [litres]

Lubricant type: Long life synthetic oil ISO VG320

**Direction of rotation**



**Weight**

Gear unit [kg]	9
Electric motor [kg]	13.5

**Gearing data**

Axial module	3.9
Number of starts	4
Lead angle	26° 51'
Pressure angle	20°

**Backdriving**

- Static back-driving
- Quick back-driving
- Dynamic back-driving

**M RT 70 B3 7 90 B14 AC 28 MT 1.5 kW 90 L4 B14 X3**