

### Input data

System of measurement		Metric
Input type		Gear motor
Input speed	[rpm]	1400
Output speed	[rpm]	70
Ratio (i=)		20
Frequency	[Hz]	50
Input options		IEC
Requested input power	[kW]	1.5
Service factor		1.2
Rated Power P1	[kW]	1.76

### Output data

**Gear unit** M RT 70 B3 20 90 B14 AC 28 MT 1.5 kW 90 L4 B14 X3

Type		RT - Worm speed reducers
Input type		M
Size		70
Ratio (i=)		20
Input flange		B14
Input speed	[rpm]	1400
Output speed	[rpm]	70
Rated output torque	[Nm]	165.76
Service Factor		1.2
Efficiency		0.81
Inertia moment	[kgm <sup>2</sup> ]	0.000251

#### Gear unit configuration

Output shaft		Hollow output shaft
Fixing		Universal
Version		B3

#### Output radial and axial loads

Ball bearings output radial load	[N]	3900
Taper bearings output radial load	[N]	5160
Ball bearings output axial load	[N]	780
Taper bearings output axial load	[N]	1032

#### Accessories

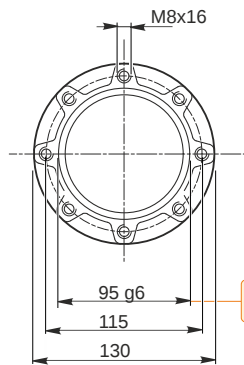
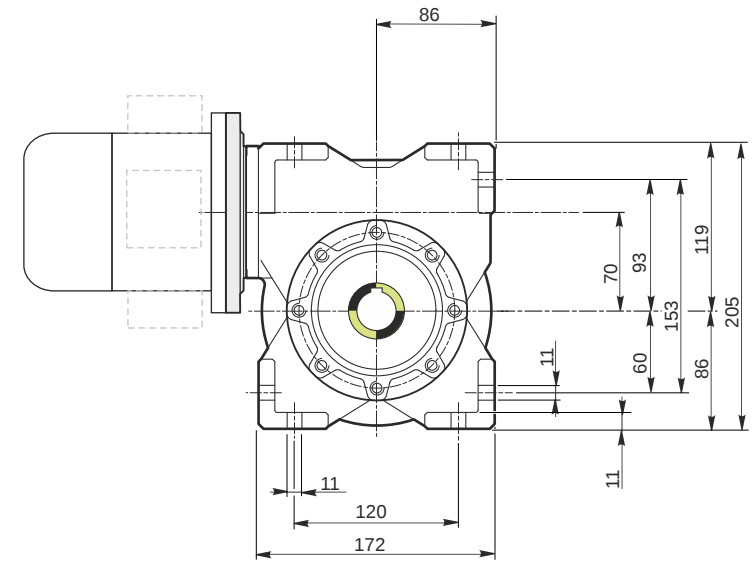
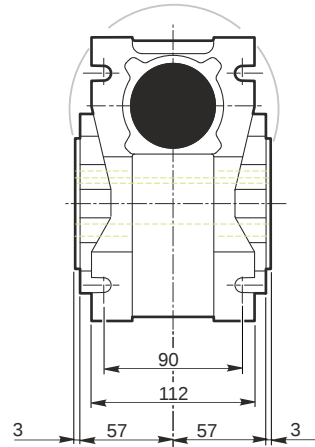
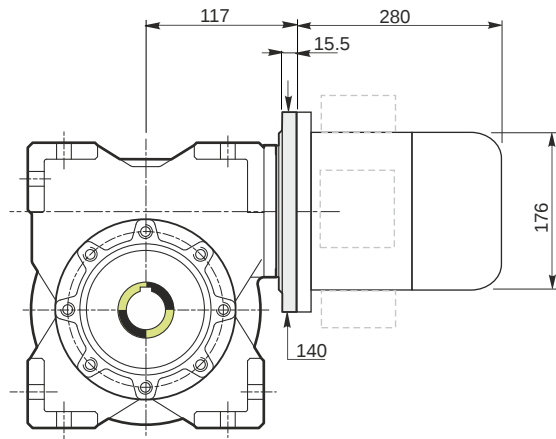
Hollow output shaft		AC 28
---------------------	--	-------

#### Electric motor

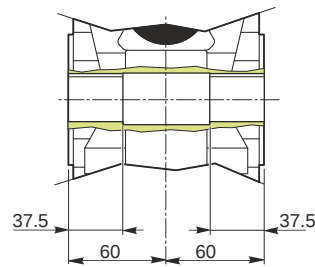
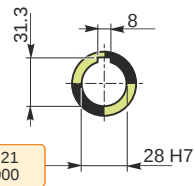
Size		90 L4
Poles		4
Power	[kW]	1.5

#### Electric motor configuration

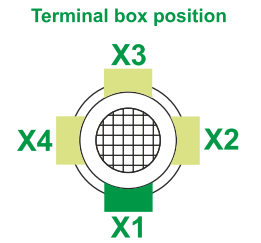
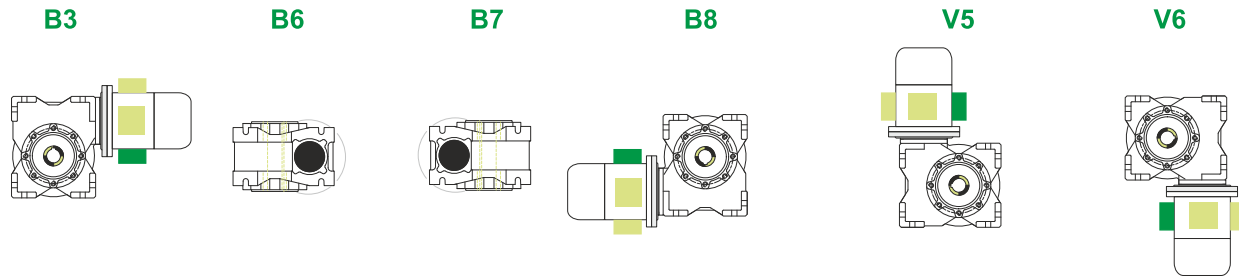
Motor flange		B14
Terminal box position		X3



*Hollow output shaft*



**Mounting positions**



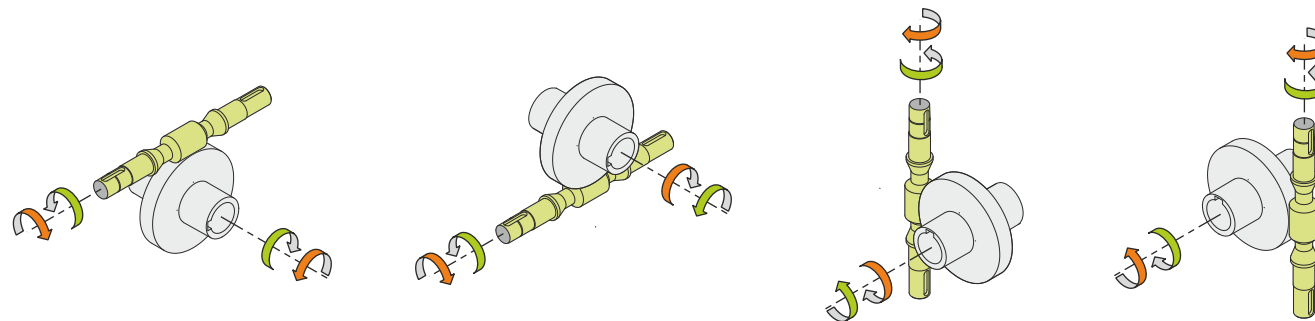
0.35



← Oil quantity [litres]

Lubricant type: Long life synthetic oil ISO VG320

**Direction of rotation**



**Weight**

Gear unit [kg]	9
Electric motor [kg]	13.5

**Gearing data**

Axial module	2.8
Number of starts	2
Lead angle	11° 18'
Pressure angle	20°

**Backdriving**

Variable static self-locking  
Quick back-driving in case of vibrations  
Dynamic back-driving

**M RT 70 B3 20 90 B14 AC 28 MT 1.5 kW 90 L4 B14 X3**