

Input data

System of measurement		Metric
Input type		Gear motor
Input speed	[rpm]	1400
Output speed	[rpm]	140
Ratio (i=)		10
Frequency	[Hz]	50
Input options		IEC
Requested input power	[kW]	1.5
Service factor		2
Rated Power P1	[kW]	3.07

Output data

Gear unit **M RT 70 B3 10 90 B14 AC 28 MT 1.5 kW 90 L4 B14 X3**

Type		RT - Worm speed reducers
Input type		M
Size		70
Ratio (i=)		10
Input flange		B14
Input speed	[rpm]	1400
Output speed	[rpm]	140
Rated output torque	[Nm]	88
Service Factor		2
Efficiency		0.86
Inertia moment	[kgm ²]	0.000274

Gear unit configuration

Output shaft		Hollow output shaft
Fixing		Universal
Version		B3

Output radial and axial loads

Ball bearings output radial load	[N]	2900
Taper bearings output radial load	[N]	3700
Ball bearings output axial load	[N]	580
Taper bearings output axial load	[N]	740

Accessories

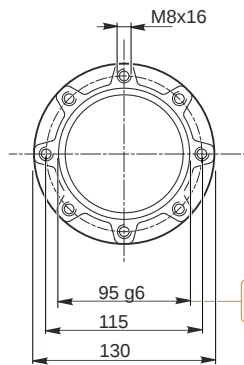
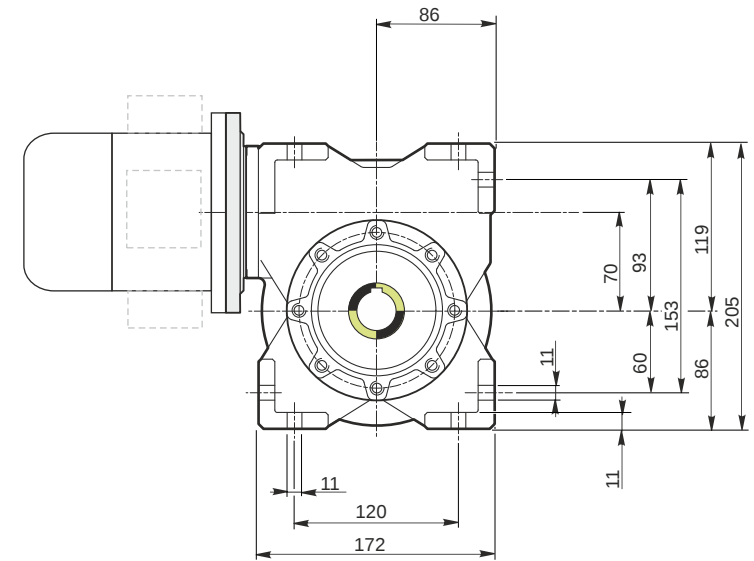
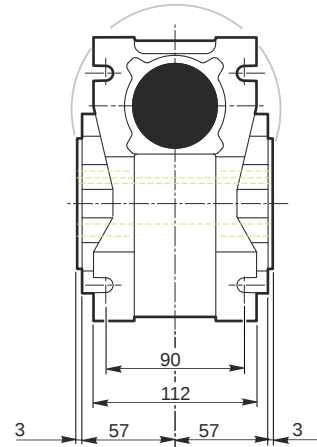
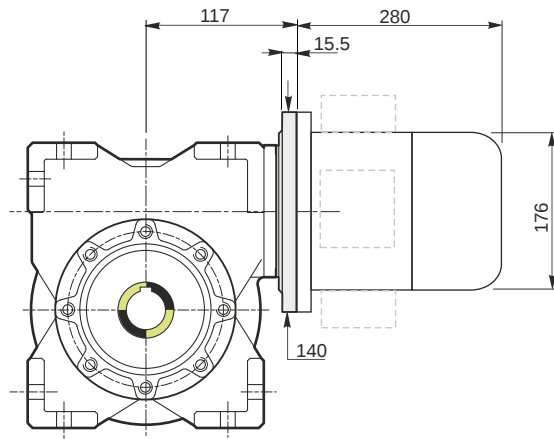
Hollow output shaft		AC 28
---------------------	--	-------

Electric motor

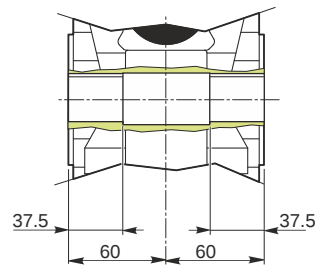
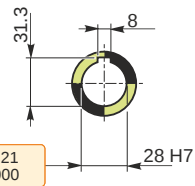
Size		90 L4
Poles		4
Power	[kW]	1.5

Electric motor configuration

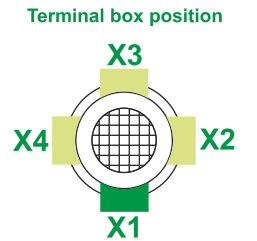
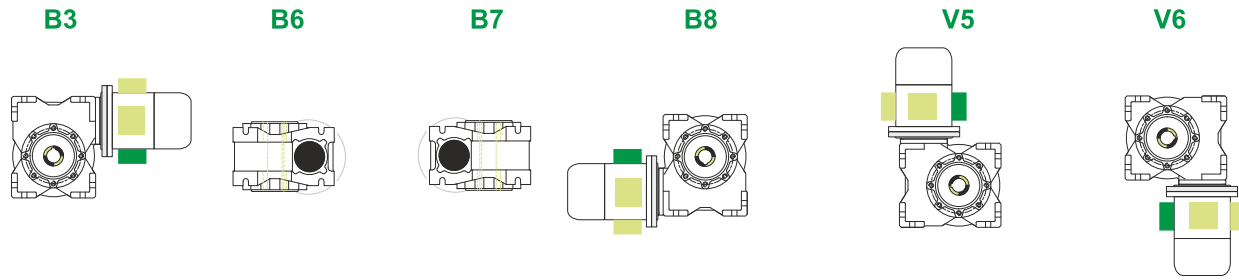
Motor flange		B14
Terminal box position		X3



Hollow output shaft



Mounting positions



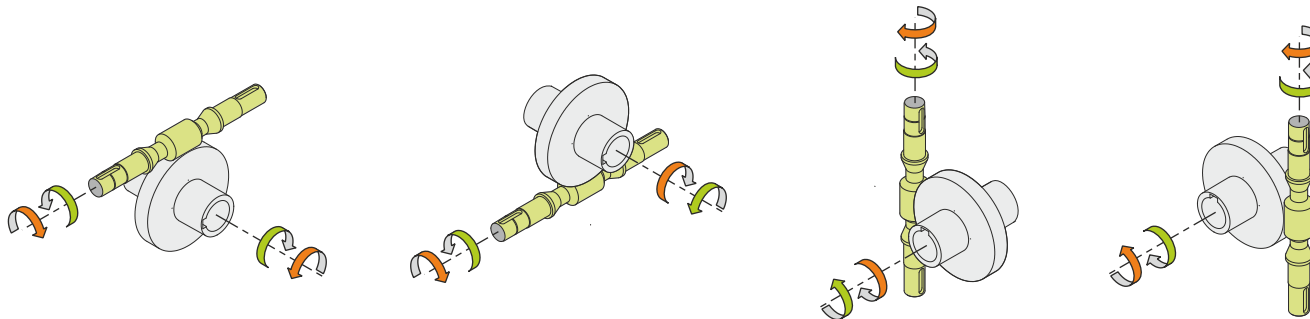
0.35



← Oil quantity [litres]

Lubricant type: Long life synthetic oil ISO VG320

Direction of rotation



Weight

Gear unit [kg]	9
Electric motor [kg]	13.5

Gearing data

Axial module	3.6
Number of starts	3
Lead angle	18° 38'
Pressure angle	20°

Backdriving

- Static back-driving
- Quick back-driving
- Dynamic back-driving

M RT 70 B3 10 90 B14 AC 28 MT 1.5 kW 90 L4 B14 X3