

Input data

System of measurement		Metric
Input type		Gear motor
Input speed	[rpm]	1400
Output speed	[rpm]	20
Ratio (i=)		70
Frequency	[Hz]	50
Input options		IEC
Requested input power	[kW]	0.37
Service factor		1.3
Rated Power P1	[kW]	0.46

Output data

Gear unit **M RT 60 B3 70 71 B14 AC 25 MT 0.37 kW 71 B4 B14 X3**

Type		RT - Worm speed reducers
Input type		M
Size		60
Ratio (i=)		70
Input flange		B14
Input speed	[rpm]	1400
Output speed	[rpm]	20
Rated output torque	[Nm]	97.17
Service Factor		1.3
Efficiency		0.55
Inertia moment	[kgm ²]	0.000104

Gear unit configuration

Output shaft		Hollow output shaft
Fixing		Universal
Version		B3

Output radial and axial loads

Ball bearings output radial load	[N]	5000
Taper bearings output radial load	[N]	6600
Ball bearings output axial load	[N]	1000
Taper bearings output axial load	[N]	1320

Accessories

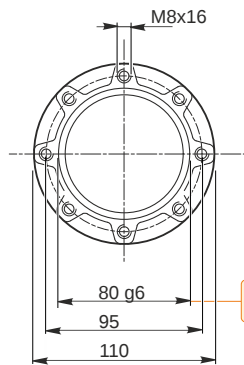
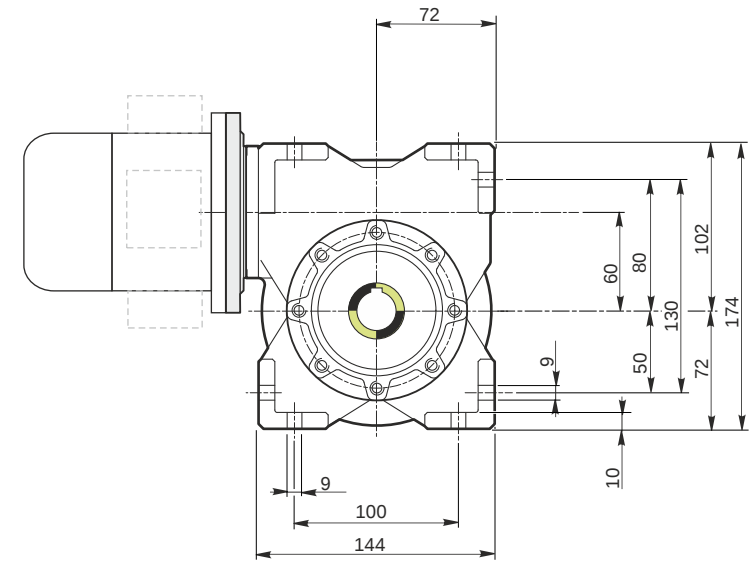
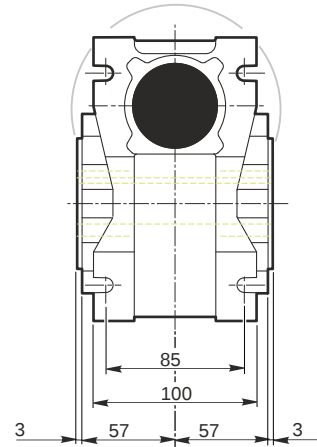
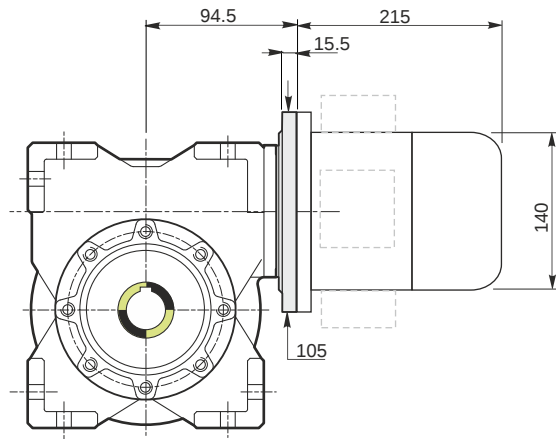
Hollow output shaft		AC 25
---------------------	--	-------

Electric motor

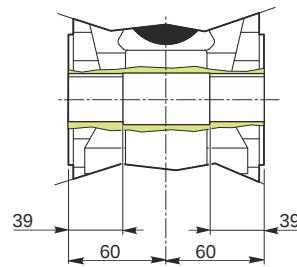
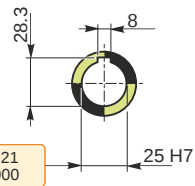
Size		71 B4
Poles		4
Power	[kW]	0.37

Electric motor configuration

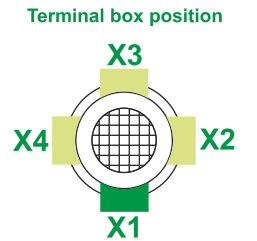
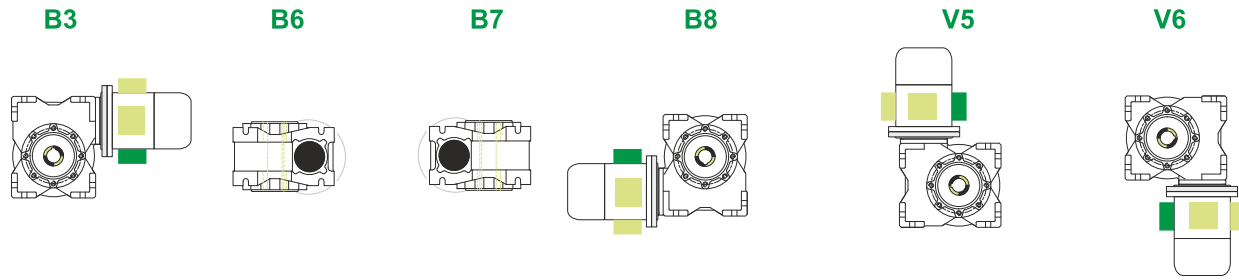
Motor flange		B14
Terminal box position		X3



Hollow output shaft



Mounting positions



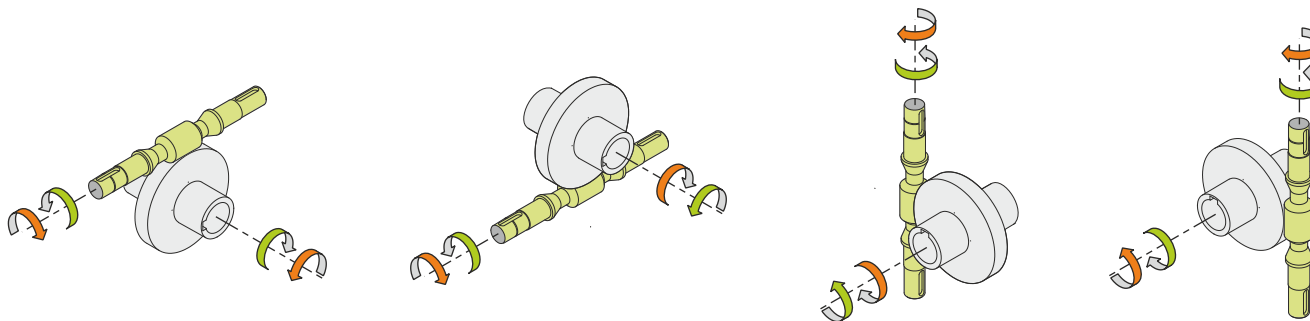
0.23



← Oil quantity [litres]

Lubricant type: Long life synthetic oil ISO VG320

Direction of rotation



Weight

Gear unit [kg]	6.5
Electric motor [kg]	6.2

Gearing data

Axial module	1.4
Number of starts	1
Lead angle	3° 38'
Pressure angle	20°

Backdriving

Static self-locking
Slow back-driving in case of vibrations
Low dynamic back-driving

M RT 60 B3 70 71 B14 AC 25 MT 0.37 kW 71 B4 B14 X3