

### Input data

System of measurement		Metric
Input type		Gear motor
Input speed	[rpm]	1400
Output speed	[rpm]	17.5
Ratio (i=)		80
Frequency	[Hz]	50
Input options		IEC
Requested input power	[kW]	0.13
Service factor		0.9
Rated Power P1	[kW]	0.12

### Output data

**Gear unit** M RT 40 B3 80 63 B14 AC 19 MT 0.13 kW 63 A4 B14 X3

Type		RT - Worm speed reducers
Input type		M
Size		40
Ratio (i=)		80
Input flange		B14
Input speed	[rpm]	1400
Output speed	[rpm]	17.5
Rated output torque	[Nm]	35.47
Service Factor		0.9
Efficiency		0.5
Inertia moment	[kgm <sup>2</sup> ]	0.000018

#### Gear unit configuration

Output shaft		Hollow output shaft
Fixing		Universal
Version		B3

#### Output radial and axial loads

Ball bearings output radial load	[N]	2000
Taper bearings output radial load	[N]	2600
Ball bearings output axial load	[N]	400
Taper bearings output axial load	[N]	520

#### Accessories

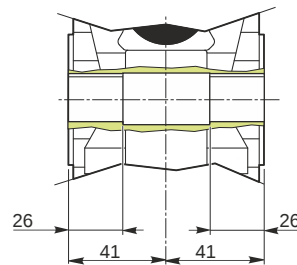
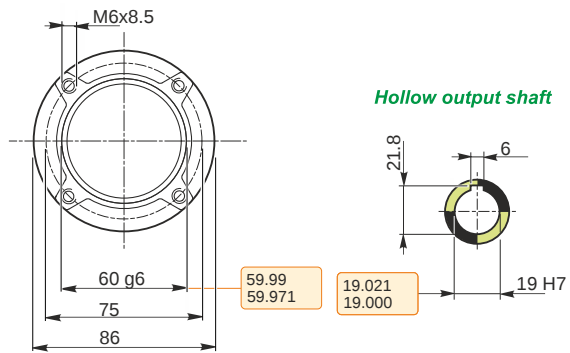
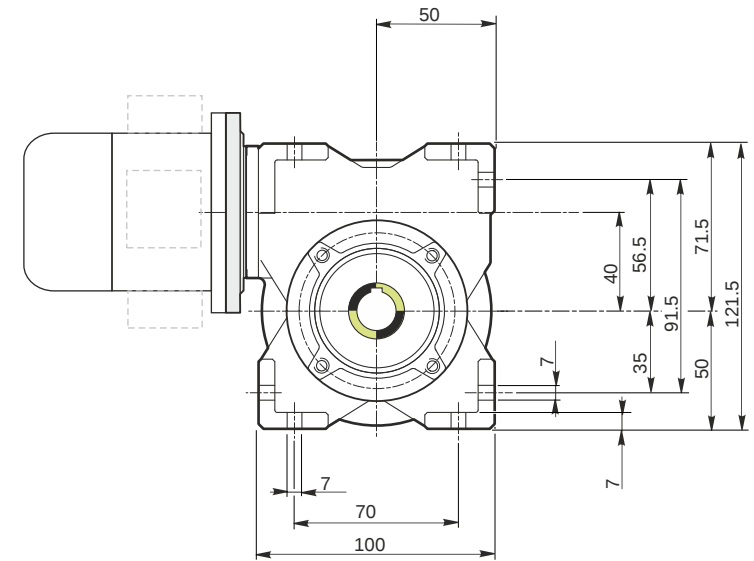
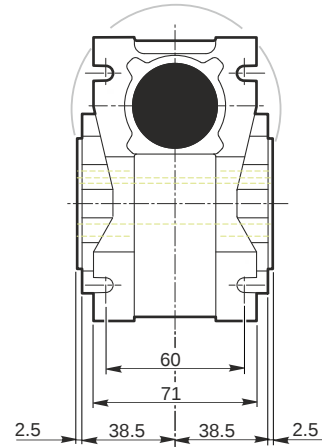
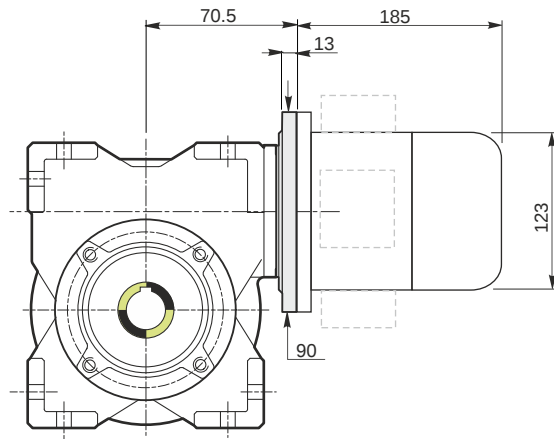
Hollow output shaft		AC 19
---------------------	--	-------

#### Electric motor

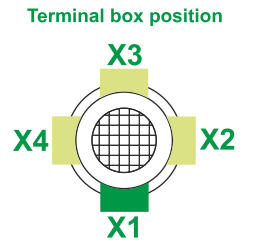
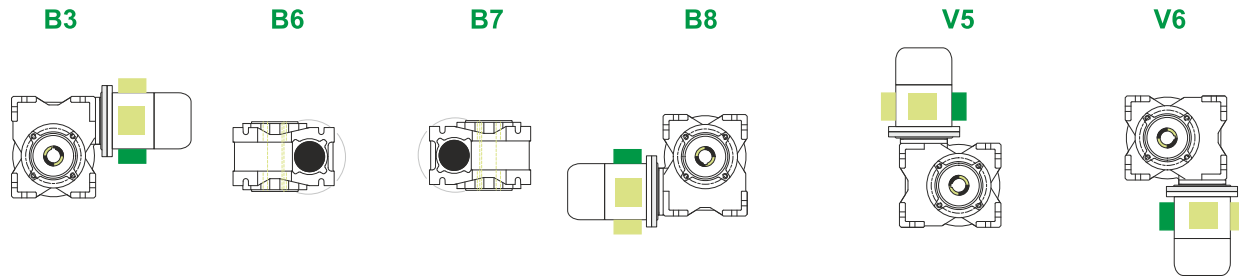
Size		63 A4
Poles		4
Power	[kW]	0.13

#### Electric motor configuration

Motor flange		B14
Terminal box position		X3



**Mounting positions**



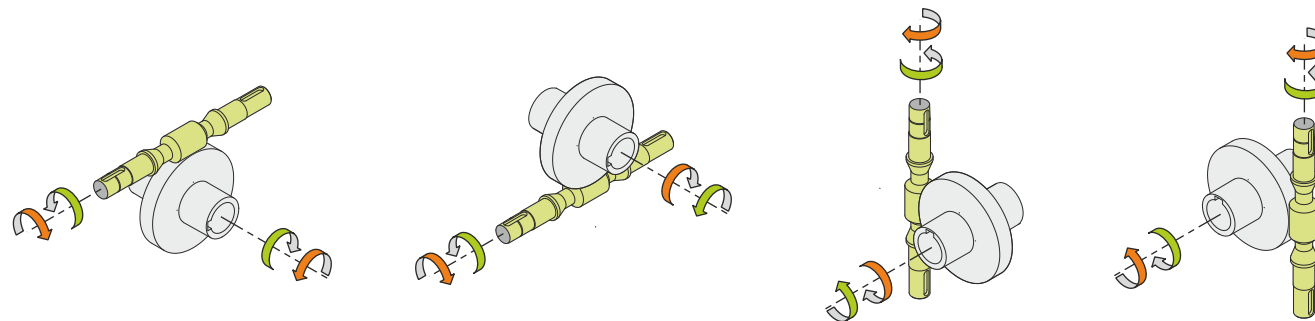
0.08



← Oil quantity [litres]

Lubricant type: Long life synthetic oil ISO VG320

**Direction of rotation**



**Weight**

Gear unit [kg]	2.5
Electric motor [kg]	4.3

**Gearing data**

Axial module	0.8
Number of starts	1
Lead angle	2° 51'
Pressure angle	20°

**Backdriving**

Static self-locking  
No back-driving  
Low dynamic back-driving

**M RT 40 B3 80 63 B14 AC 19 MT 0.13 kW 63 A4 B14 X3**