

Input data

System of measurement		Metric
Input type		Gear motor
Input speed	[rpm]	1400
Output speed	[rpm]	200
Ratio (i=)		7
Frequency	[Hz]	50
Input options		IEC
Requested input power	[kW]	0.37
Service factor		3
Rated Power P1	[kW]	1.11

Output data

Gear unit M RT 40 B3 7 71 B14 AC 19 MT 0.37 kW 71 B4 B14 X3

Type		RT - Worm speed reducers
Input type		M
Size		40
Ratio (i=)		7
Input flange		B14
Input speed	[rpm]	1400
Output speed	[rpm]	200
Rated output torque	[Nm]	15.02
Service Factor		3
Efficiency		0.85
Inertia moment	[kgm ²]	0.000022

Gear unit configuration

Output shaft		Hollow output shaft
Fixing		Universal
Version		B3

Output radial and axial loads

Ball bearings output radial load	[N]	1000
Taper bearings output radial load	[N]	1500
Ball bearings output axial load	[N]	200
Taper bearings output axial load	[N]	300

Accessories

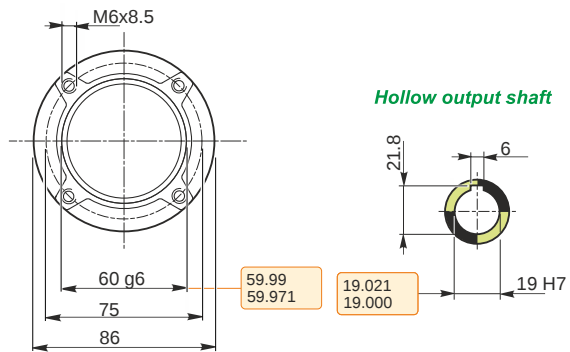
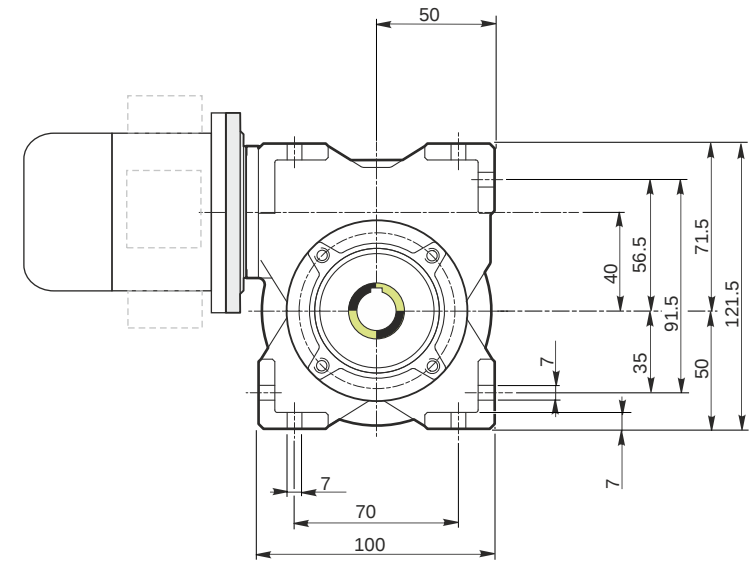
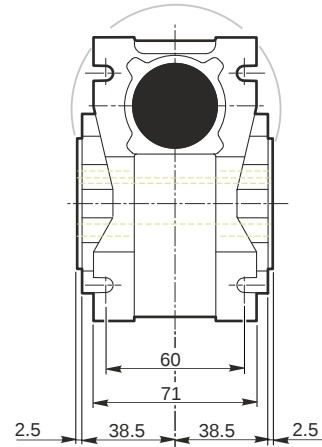
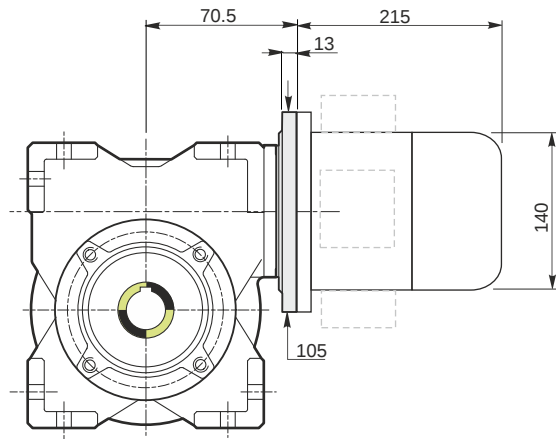
Hollow output shaft		AC 19
---------------------	--	-------

Electric motor

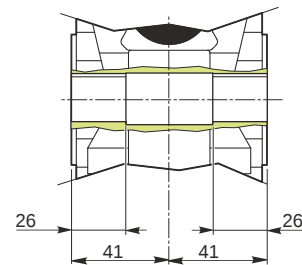
Size		71 B4
Poles		4
Power	[kW]	0.37

Electric motor configuration

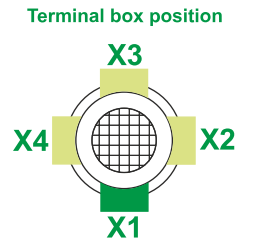
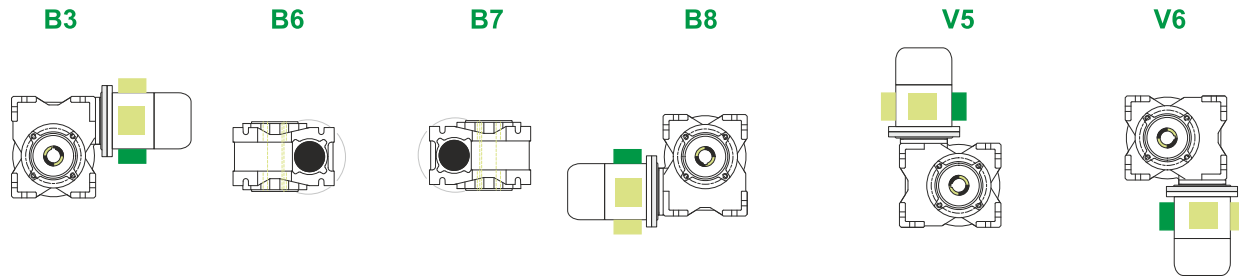
Motor flange		B14
Terminal box position		X3



Hollow output shaft



Mounting positions



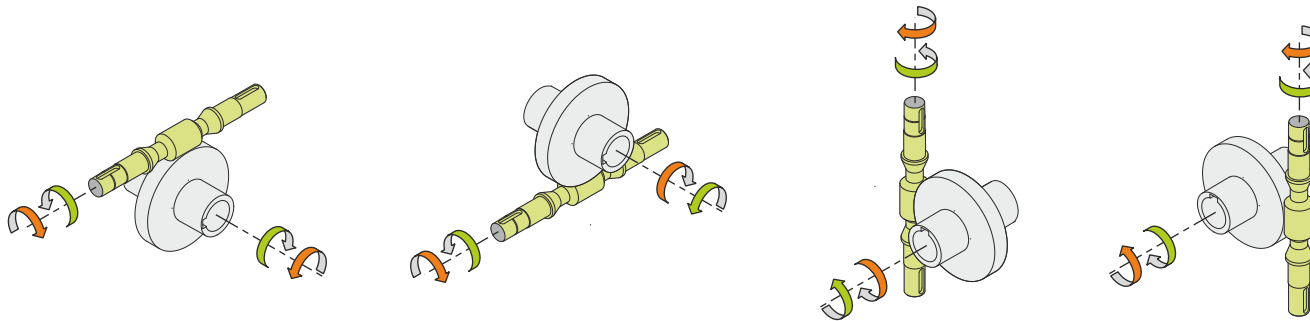
0.08



← Oil quantity [litres]

Lubricant type: Long life synthetic oil ISO VG320

Direction of rotation



Weight

Gear unit [kg]	2.5
Electric motor [kg]	6.2

Gearing data

Axial module	2.1
Number of starts	4
Lead angle	21° 36'
Pressure angle	20°

Backdriving

- Static back-driving
- Quick back-driving
- Dynamic back-driving

M RT 40 B3 7 71 B14 AC 19 MT 0.37 kW 71 B4 B14 X3