

### Input data

System of measurement		Metric
Input type		Gear motor
Input speed	[rpm]	1400
Output speed	[rpm]	140
Ratio (i=)		10
Frequency	[Hz]	50
Input options		IEC
Requested input power	[kW]	0.37
Service factor		2.2
Rated Power P1	[kW]	0.81

### Output data

**Gear unit** **M RT 40 B3 10 71 B14 AC 19 MT 0.37 kW 71 B4 B14 X3**

Type		RT - Worm speed reducers
Input type		M
Size		40
Ratio (i=)		10
Input flange		B14
Input speed	[rpm]	1400
Output speed	[rpm]	140
Rated output torque	[Nm]	20.95
Service Factor		2.2
Efficiency		0.83
Inertia moment	[kgm <sup>2</sup> ]	0.00002

#### Gear unit configuration

Output shaft		Hollow output shaft
Fixing		Universal
Version		B3

#### Output radial and axial loads

Ball bearings output radial load	[N]	1100
Taper bearings output radial load	[N]	1550
Ball bearings output axial load	[N]	220
Taper bearings output axial load	[N]	310

#### Accessories

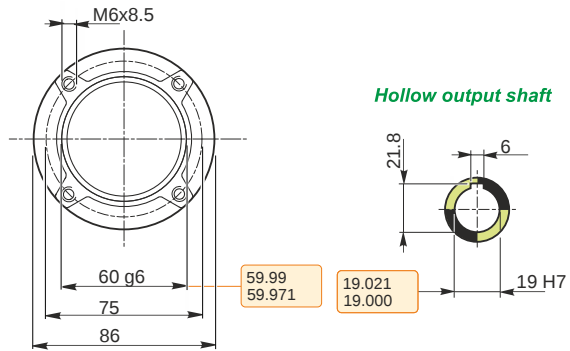
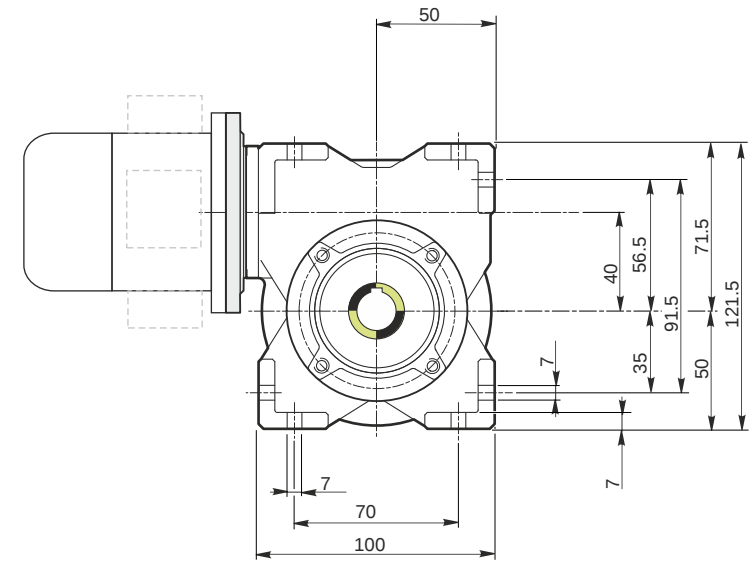
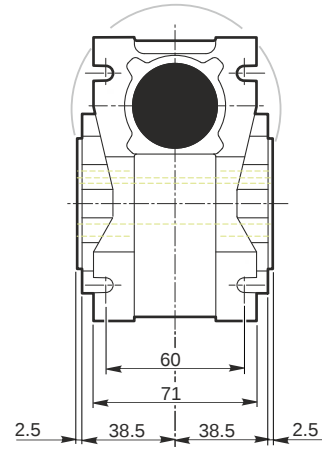
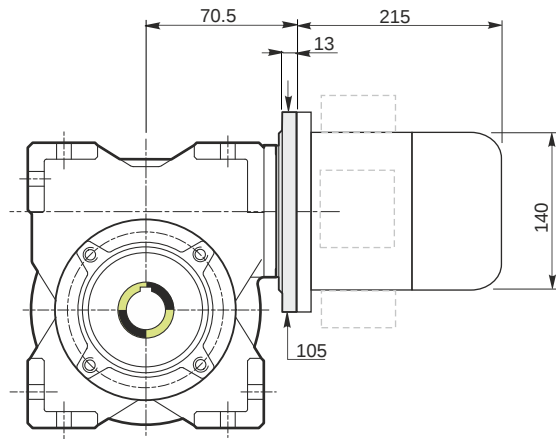
Hollow output shaft		AC 19
---------------------	--	-------

#### Electric motor

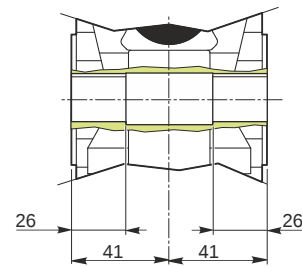
Size		71 B4
Poles		4
Power	[kW]	0.37

#### Electric motor configuration

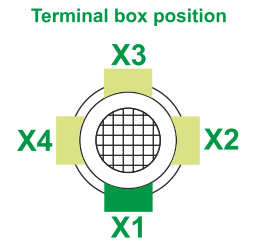
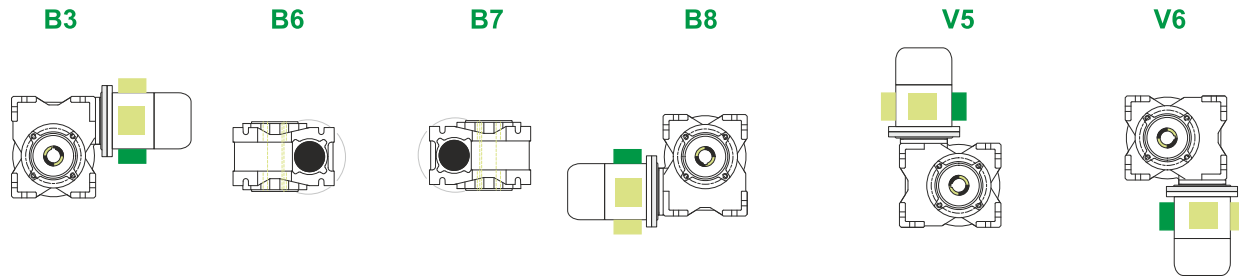
Motor flange		B14
Terminal box position		X3



Hollow output shaft



**Mounting positions**



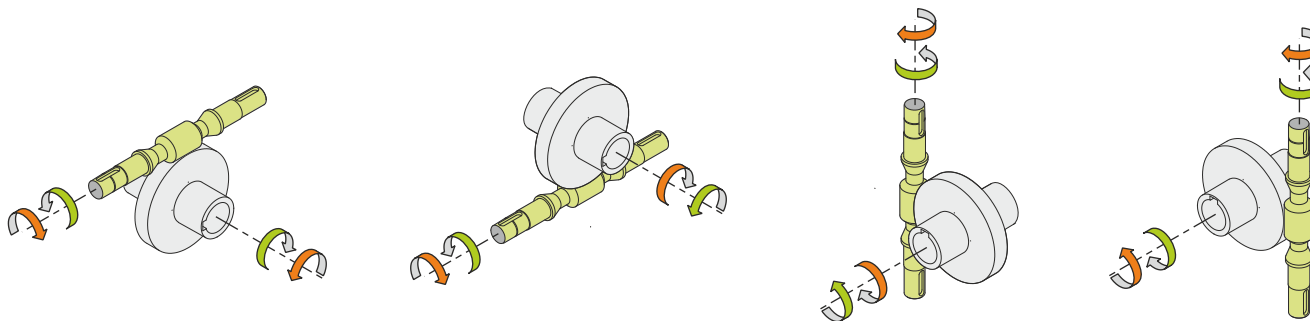
0.08



← Oil quantity [litres]

Lubricant type: Long life synthetic oil ISO VG320

**Direction of rotation**



**Weight**

Gear unit [kg]	2.5
Electric motor [kg]	6.2

**Gearing data**

Axial module	2
Number of starts	3
Lead angle	16° 41'
Pressure angle	20°

**Backdriving**

- Static back-driving
- Quick back-driving
- Dynamic back-driving

**M RT 40 B3 10 71 B14 AC 19 MT 0.37 kW 71 B4 B14 X3**