

### Input data

System of measurement		Metric	
Input type		Gear motor	
Input speed	[rpm]	1400	
Output speed	[rpm]	14	
Ratio (i=)		100	
Frequency	[Hz]	50	
Input options		IEC	
Requested input power	[kW]	0.06	
Service factor		0.5	<b>Warning! The torque generated by the selected motor is above the gearbox rated output torque; please refer to the gearbox rated output torque.</b>
Rated Power P1	[kW]	0.03	

### Output data

**Gear unit** M RT 28 B3 100 56 B14 AC 14 MT 0.06 kW 56 A4 B14 X3

Type		RT - Worm speed reducers
Input type		M
Size		28
Ratio (i=)		100
Input flange		B14
Input speed	[rpm]	1400
Output speed	[rpm]	14
Rated output torque	[Nm]	8
Service Factor		0.5
Efficiency		0.43
Inertia moment	[kgm <sup>2</sup> ]	0.000005

#### Gear unit configuration

Output shaft		Hollow output shaft
Fixing		Universal
Version		B3

#### Output radial and axial loads

Ball bearings output radial load	[N]	1000
Taper bearings output radial load	[N]	1300
Ball bearings output axial load	[N]	200
Taper bearings output axial load	[N]	260

#### Accessories

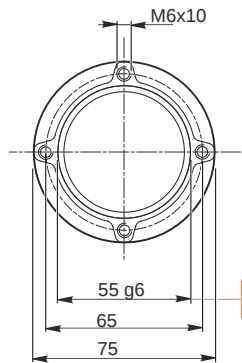
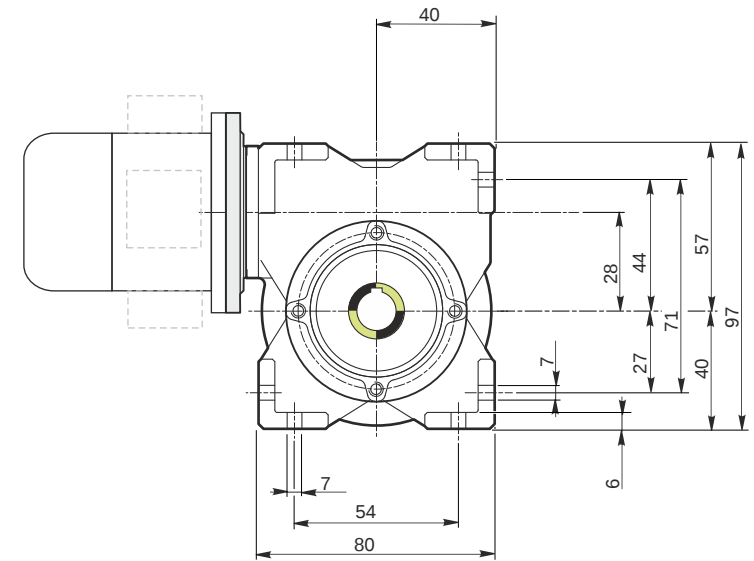
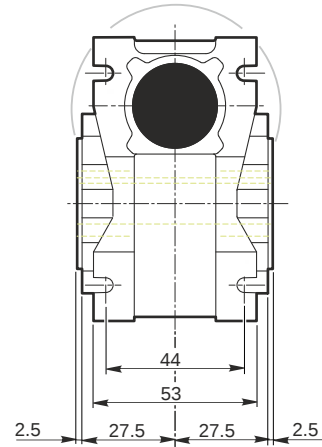
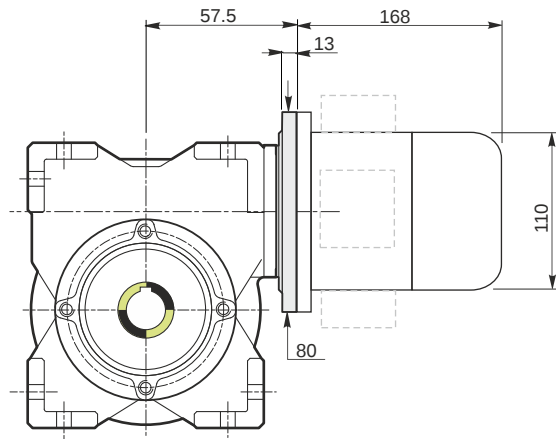
Hollow output shaft		AC 14
---------------------	--	-------

#### Electric motor

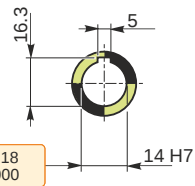
Size		56 A4
Poles		4
Power	[kW]	0.06

#### Electric motor configuration

Motor flange		B14
Terminal box position		X3

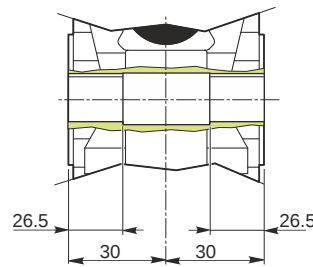


*Hollow output shaft*

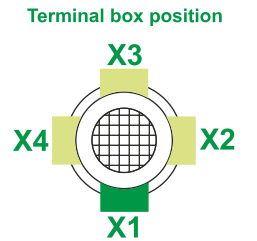
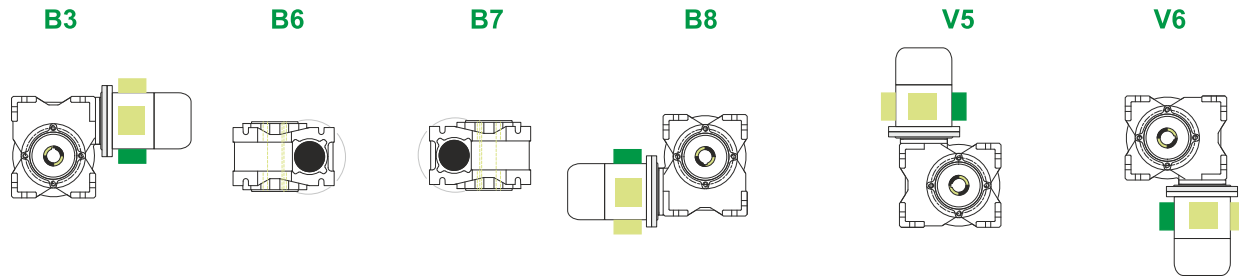


54.99  
54.971

14.018  
14.000



**Mounting positions**



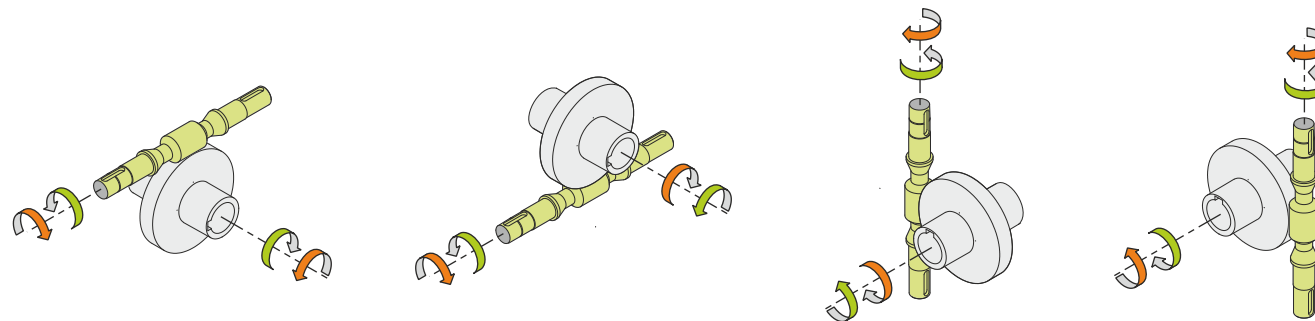
0.03



← Oil quantity [litres]

Lubricant type: Long life synthetic oil ISO VG320

**Direction of rotation**



**Weight**

Gear unit [kg]	1.1
Electric motor [kg]	2.6

**Gearing data**

Axial module	0.45
Number of starts	1
Lead angle	2° 20'
Pressure angle	20°

**Backdriving**

Static self-locking  
No back-driving  
Low dynamic back-driving

**M RT 28 B3 100 56 B14 AC 14 MT 0.06 kW 56 A4 B14 X3**